

ProLine® XE POWER VENT

ENERGY SAVINGS

- Industry-leading energy efficient power vent, with up to a 0.73 UEF
- 2" CFC-free foam insulation to improve energy efficiency
- Built-in heat traps on the water inlet and outlet reduce the amount of heat lost through piping
- Exceeds NRCan energy efficiency standards

DESIGNED FOR PERFORMANCE

- ProLine® XE models are residential water heaters with commercial-grade quality
- Convenient 3/4" side taps for combination applications on 50 USG high-input and 75 USG models
- Suitable for elevations up to 10,100 ft. (3,078 m)
- Available for both natural gas or propane
- Blue Diamond® glass coating protects steel tank from corrosion and maximizes tank life

SAFETY FEATURES

- Sensor detects the presence of flammable vapours and automatically disables the unit, preventing their ignition
- Robust air intake snorkel inhibits flammable vapours from entering the combustion chamber

SERVICEABILITY

- State-of-the-art electronic gas control

features advanced self-diagnostic capability that makes troubleshooting easy

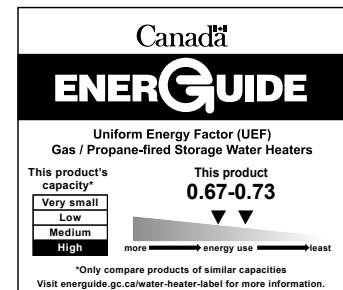
- Conveniently located T&P and drain valve for ease of installation and serviceability

THE ULTIMATE IN VENTING FLEXIBILITY

- Can be vented with 2", 3" or 4" ULC S636 PVC, CPVC or polypropylene pipe
- Vertical or horizontal venting configurations

WARRANTY

- 6 year limited tank and parts warranty
- 8 year limited tank and parts warranty models also available
- 2 and 4 year tank warranty extension kits are available for 6 year models



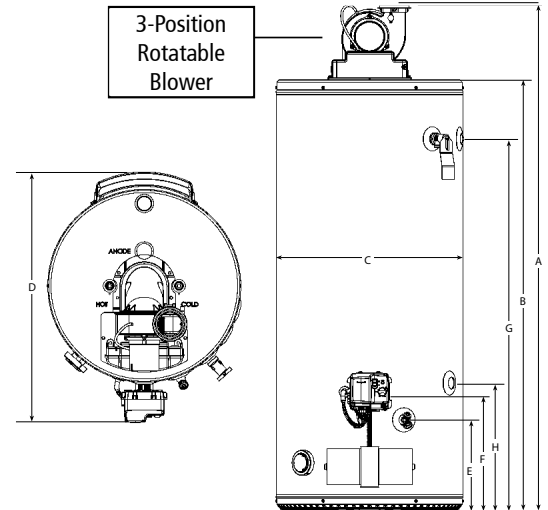
PERFORMANCE

| MODEL | SERIES | CAPACITY | INPUT | MAXIMUM CERTIFIED ALTITUDE | RECOVERY RATE AT 90°F TEMPERATURE RISE | FIRST HOUR RATING | UEF | WARRANTY TANK/PARTS |
|--------------------|---------|----------|--------|----------------------------|--|-------------------|------|---------------------|
| | | USG (L) | BTU/h | FT (M) | GPH (LPH) | USG (L) | | YEARS |
| NATURAL GAS | | | | | | | | |
| GPVL 40 | 200/201 | 40 (151) | 40,000 | 10,100 (3,078) | 44 (167) | 73 (276) | 0.67 | 6/6 |
| GPVT 40 | 200/201 | 40 (151) | 50,000 | 10,100 (3,078) | 50 (189) | 90 (341) | 0.70 | 6/6 |
| GPVL 50 | 200/201 | 50 (189) | 40,000 | 10,100 (3,078) | 44 (167) | 90 (341) | 0.72 | 6/6 |
| GPVT 50 | 200/201 | 50 (189) | 50,000 | 10,100 (3,078) | 50 (189) | 96 (363) | 0.72 | 6/6 |
| GPVX 50L* | 200/201 | 50 (189) | 62,000 | 10,100 (3,078) | 69 (261) | 110 (416) | 0.73 | 6/6 |
| GPVL 60 | 200/201 | 60 (227) | 42,000 | 10,100 (3,078) | 46 (174) | 106 (401) | 0.69 | 6/6 |
| GPVX 75L* | 200/201 | 75 (284) | 72,000 | 10,100 (3,078) | 80 (303) | 155 (587) | 0.69 | 6/6 |
| NATURAL GAS | | | | | | | | |
| HPVL 50 | 200/201 | 50 (189) | 40,000 | 10,100 (3,078) | 44 (167) | 90 (341) | 0.72 | 8/8 |
| HPVX 50L* | 200/201 | 50 (189) | 62,000 | 10,100 (3,078) | 69 (261) | 110 (416) | 0.73 | 8/8 |

Natural gas models are series 200. Propane models are series 201.

All models comply with national energy efficiency regulations.

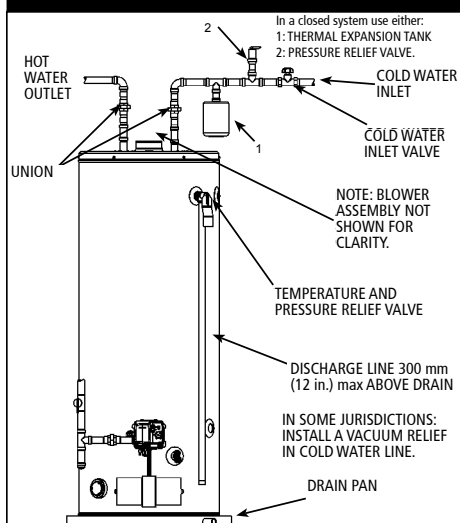
* Model has side connections



DIMENSIONS & SHIPPING WEIGHT

| MODEL | INSTALLATION HEIGHT | HEIGHT TO TOP OF TANK | TANK DIAMETER | OVERALL DEPTH | HEIGHT TO DRAIN VALVE | HEIGHT TO GAS INLET | HEIGHT TO T&P | HEIGHT TO UPPER SIDE CONNECTION | HEIGHT TO LOWER SIDE CONNECTION | SHIPPING WEIGHT |
|---------------------|---------------------|-----------------------|---------------|---------------|-----------------------|---------------------|---------------|---------------------------------|---------------------------------|-----------------|
| | A IN (CM) | B IN (CM) | C IN (CM) | D IN (CM) | E IN (CM) | F IN (CM) | G IN (CM) | G IN (CM) | H IN (CM) | LB (KG) |
| NATURAL GAS | | | | | | | | | | |
| GPVL 40 | 59 (150) | 49 5/8 (126) | 22 (56) | 29 1/8 (74) | 11 (28) | 13 1/4 (34) | 42 1/2 (108) | N/A | N/A | 174 (79) |
| GPVT 40 | 68 1/2 (174) | 59 1/4 (150) | 20 (51) | 27 1/8 (69) | 11 (28) | 13 1/4 (34) | 53 1/8 (135) | N/A | N/A | 176 (80) |
| GPVL 50 / HPVL 50 | 60 1/8 (153) | 50 3/4 (129) | 24 (61) | 31 1/8 (79) | 11 (28) | 13 1/4 (34) | 43 3/4 (111) | N/A | N/A | 198 (90) |
| GPVT 50 | 68 1/8 (173) | 58 3/4 (149) | 22 (56) | 29 1/8 (74) | 11 (28) | 13 1/4 (34) | 51 3/4 (131) | N/A | N/A | 192 (87) |
| GPVX 50L / HPVX 50L | 61 1/8 (155) | 52 (132) | 24 (61) | 31 1/8 (79) | 11 (28) | 13 1/4 (34) | 44 1/2 (113) | 44 1/2 (113) | 15 1/4 (39) | 212 (96) |
| GPVL 60 | 67 1/4 (171) | 57 7/8 (147) | 24 (61) | 31 1/8 (79) | 11 (28) | 13 1/4 (34) | 50 3/8 (128) | N/A | N/A | 216 (98) |
| GPVX 75L | 70 5/8 (179) | 61 1/4 (156) | 26 (66) | 33 1/8 (84) | 11 (28) | 13 1/4 (34) | 53 (135) | 53 (135) | 15 1/4 (39) | 277 (126) |

PREFERRED INSTALLATION



VENT PIPE LENGTHS

| MODEL | VENT PIPE DIAMETER IN | MINIMUM NUMBER OF ELBOWS REQUIRED* | MAXIMUM VENT LENGTH WITH ONE 90° ELBOW FT (M) | MINIMUM VENT LENGTH WITH ONE 90° ELBOW FT (M) |
|---------------------|-----------------------|------------------------------------|---|---|
| GPVL 40 | 2 | 0 | 50 (15.2) | 7 (2.1) |
| GPVT 40 | | | | |
| GPVL 50 / HPVL 50 | 3 | 0 | 125 (38.1) | 50 (15.2) |
| GPVT 50 | | | | |
| GPVL 60 | 4 | 0 | 180 (54.9) | 125 (38.1) |
| GPVX 50L / HPVX 50L | 3 | 0 | 50 (15.2) | 7 (2.1) |
| GPVX 75L | | | | |
| | 4 | 0 | 125 (38.1) | 50 (15.2) |

* Refer to installation manual for further details.

VENT KITS

| DESCRIPTION | PART NUMBER |
|--|-------------|
| 3" Vent Kit Includes coupling for blower outlet and termination screens | 100112701 |
| 4" Vent Termination Kit Includes termination screens | 100112700 |

For Technical Information call 888-599-2837. A. O. Smith Enterprises Ltd. reserves the right to make product changes or improvements without prior notice.