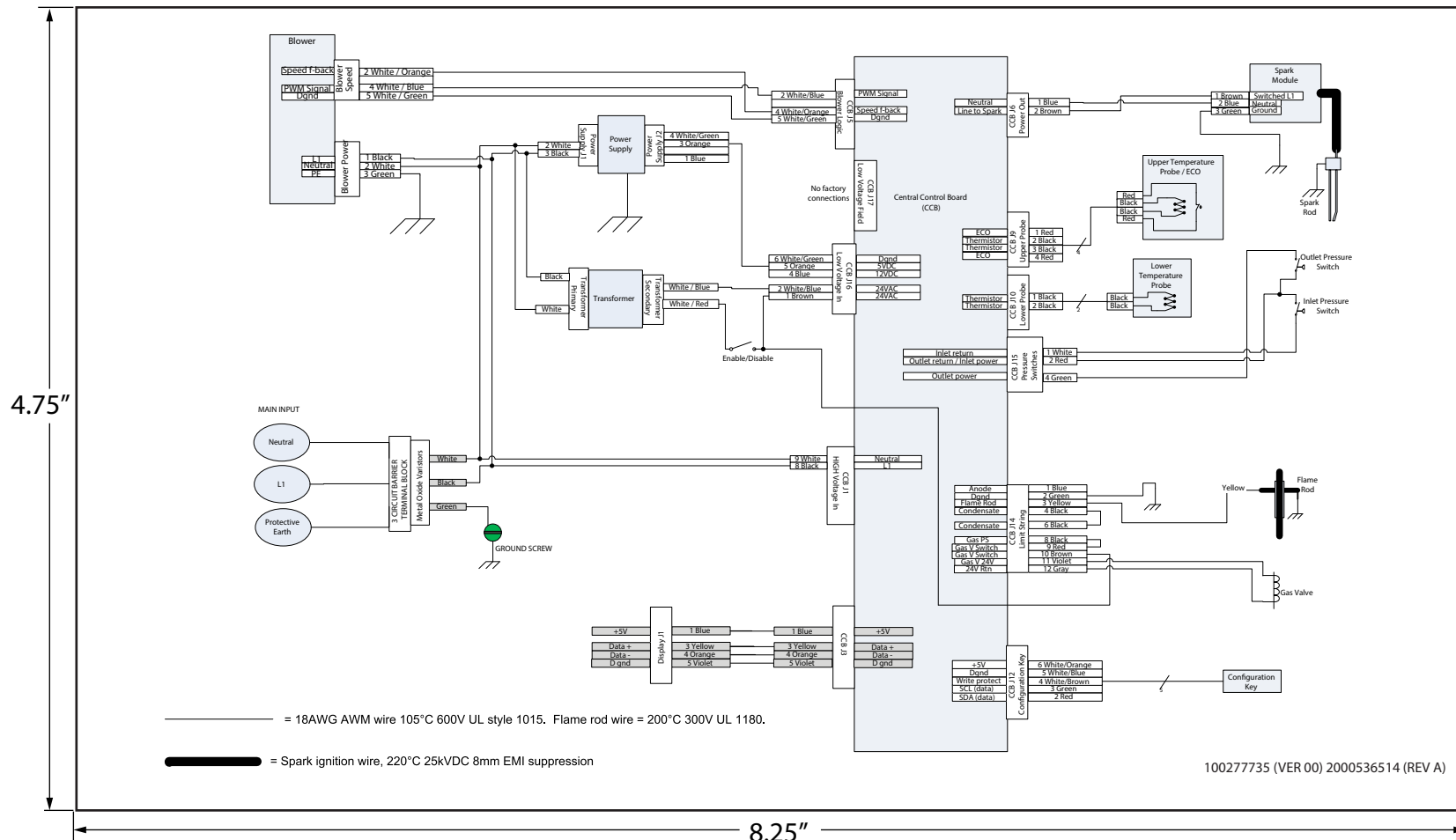


REVISIONS				
REV.	DESCRIPTION	PROCESS NO.	DATE	REV BY
A	LABEL, WIRE DIAGRAM, POLARIS, EN	3000004420	10/26/2016	B. GALLIHER



NOTES:

1. BLACK PRINTING ON WHITE BACKGROUND UNLESS OTHERWISE NOTED
2. ALL DIMENSIONS +/- 1/16"
3. MATERIAL: MUST COMPLY WITH U.L. SAFETY STANDARD 969

Any Material, Component, Or Vendor Change Must Have Prior Approval By The Applicable Product Engineering Department.

Confidential: This drawing and its information are the exclusive and confidential property of A.O. Smith Corp. and are not to be disclosed, duplicated, distributed, or otherwise used without the written consent of A.O. Smith Corp. All rights reserved. ©

Critical Characteristic For Inspection Purposes:



Scale: 1:1

Tolerances Unless Otherwise Noted:
 Angles: ±1°
 Fractions: ±1/32
 Decimals:
 (2 PI) ±.03
 (3 PI) ±.005



Drawn:
B. GALLIHER

Date:
10/26/2016

DWG / DIR No:
2000536514 Ver:
00

Material:
SEE NOTE

Finish:
-

DWG / DIR Desc:
-

Part Desc:

LABEL, WIRE DIAGRAM, POLARIS, EN

Part No:

100277735

Sht:1
Of: 1

Rev:
A