

Installation Instructions and Use & Care Guide

Residential Gas Water Heater with Flammable Vapor Ignition Resistance (FVIR) System

DO NOT RETURN THIS UNIT TO THE STORE



Read this manual and the labels on the water heater before you install, operate, or service it. If you have difficulty following the directions, or aren't sure you can safely and properly do any of this work yourself:

- Call your local plumbing supplies store to have this water heater installed. Professional Installation is available for this product and the work is guaranteed.
- Schedule an appointment with a qualified person to install your water heater.
- Call our Technical Assistance Hotline which is listed on the water heater's warranty sheet. We can help you with installation, operations, troubleshooting, or maintenance. Before you call, write down the model and serial number from the water heater's data plate.

Incorrect installation, operation, or service can damage the water heater, your house and other property, and present risks including fire, scalding, electric shock, and explosion, causing serious injury or death.

WARNING: If the information in these instructions is not followed exactly, a fire or explosion may result causing property damage, personal injury or death.

Do not store or use gasoline or other flammable vapors and liquids in the vicinity of this or any other appliance.

WHAT TO DO IF YOU SMELL GAS

- Do not try to light any appliance.
- Do not touch any electrical switch; do not use any phone in your building.
- Immediately call your gas supplier from a neighbor's phone. Follow the gas supplier's instructions.
- If you cannot reach your gas supplier, call the fire department.

Installation and service must be performed by a qualified installer, service agency or the gas supplier.

Table of Contents..... Page

Important Safety Information	3
Getting Started	7
Installation.....	10
Operation	18
Troubleshooting	21
Maintenance	26
Wiring Diagram	31
Repair Parts	32
Notes	34



Keep this manual in the pocket on heater for future reference whenever maintenance, adjustment or service is required.

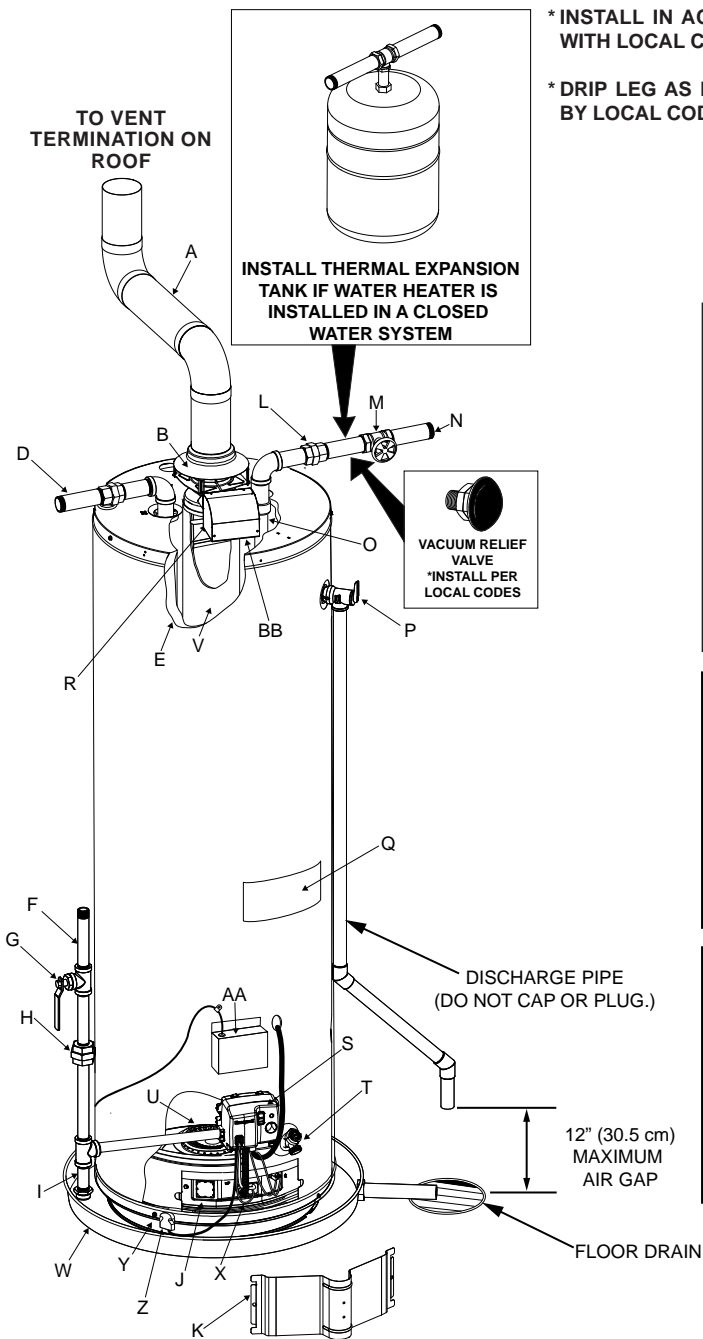
Retain your original receipt as proof of purchase.

COMPLETED INSTALLATION (TYPICAL)

- A Vent Pipe
- B Draft Hood
- C Anode (Not Shown)
- D Hot Water Outlet
- E Insulation
- F Gas Supply Piping
- G Manual Gas Shut-off Valve
- H Ground Joint Union
- I Drip Leg (Sediment Trap)

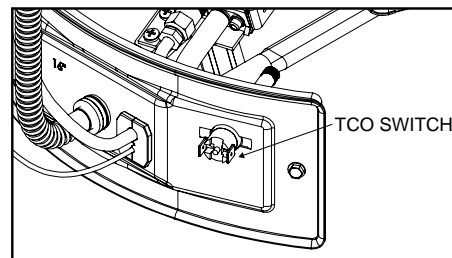
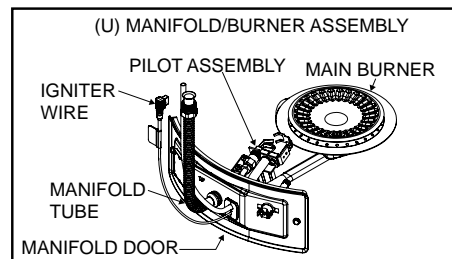
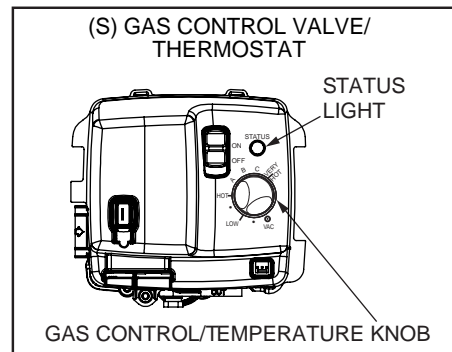
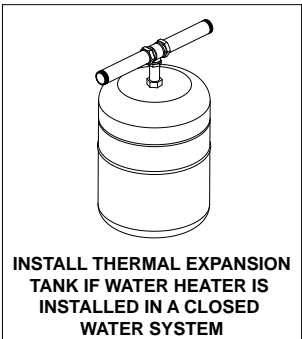
- J Inner Door
- K Outer Door
- L Union
- M Inlet Water Shut-off Valve
- N Cold Water Inlet
- O Inlet Dip Tube
- P Temperature-Pressure Relief Valve
- Q Rating Plate
- R Flue Baffle

- S Gas Control Valve/Thermostat
- T Drain Valve
- U Pilot and Main Burner
- V Flue
- W Metal Drain Pan
- X Igniter Wire
- Y Base-Ring Filter
- Z FV Sensor
- AA Transformer
- BB Flue Damper



* INSTALL IN ACCORDANCE WITH LOCAL CODES.

* DRIP LEG AS REQUIRED BY LOCAL CODES.



DISCHARGE PIPE (DO NOT CAP OR PLUG.)

12" (30.5 cm) MAXIMUM AIR GAP


FLOOR DRAIN

* ALL PIPING MATERIALS TO BE SUPPLIED BY CUSTOMERS.



NOTE: POWER CORD NOT SHOWN FOR CLARITY

IMPORTANT SAFETY INFORMATION

Read and follow all safety messages and instructions in this manual.



This is the safety alert symbol. It is used to alert you to potential physical injury hazards. Obey all safety messages that follow this symbol to avoid possible property damage, serious injury or death. Do not remove any permanent instructions, labels, or the data plate from either the outside of the water heater or on the inside of the access panels. Keep this manual near the water heater.

 DANGER	DANGER indicates a hazardous situation that, if not avoided, will result in death or serious injury.
 WARNING	WARNING indicates a hazardous situation that, if not avoided, could result in death or serious injury.
 CAUTION	CAUTION indicates a hazardous situation that, if not avoided, could result in minor or moderate injury.
NOTICE	NOTICE indicates practices not related to physical injury.

⚠ WARNING! If the information in these instructions is not followed exactly, a fire or explosion may result causing property damage, personal injury or death. Do not store or use gasoline or other flammable vapors and liquids in the vicinity of this or any other appliance.

An odorant is added by the gas supplier to the gas used by this water heater. This odorant may fade over an extended period of time. Do not depend upon this odorant as an indication of leaking gas. We recommend installing a fuel gas and carbon monoxide detector.

This product is certified to comply with a maximum weighted average of 0.25% lead content as required in some areas.

Important information to keep

Fill out this section and keep this manual in the pocket of the water heater for reference.

Date Purchased:

Model number:

Serial number:

Maintenance performed:* Date:

*Drain and flush tank and remove and inspect anode rod after first six months of operation and at least annually thereafter. Operate the Temperature and Pressure Relief Valve (T&P) annually and inspect T&P valve every 2-4 years (see the label on the T&P valve for maintenance schedule). If no label is attached to the T&P Relief Valve, follow the instructions in the T&P Relief Valve Maintenance section of this manual. See the Maintenance section for more information about maintaining this water heater.

IMPORTANT SAFETY INFORMATION

To reduce the risk of property damage, serious injury or death, read and follow the precautions below, all labels on the water heater, and the safety messages and instructions throughout this manual.

RISKS DURING INSTALLATION AND MAINTENANCE

Lifting Risk:



⚠ WARNING! The water heater is heavy. Follow these precautions to

reduce the risk of property damage, injuries from lifting or impact injuries from dropping the water heater.

- Use at least two people to lift the water heater.
- Be sure you both have a good grip before lifting.
- Use an appliance dolly or hand truck to move the water heater.

Explosion Risk:



⚠ WARNING! Read the water heater's data plate to determine the type of gas required. Failure to

follow these instructions can result in serious injury or death from explosion, fire or carbon monoxide poisoning.

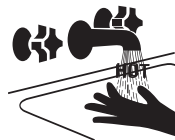
- Do not connect a natural gas water heater to an L.P. gas supply.
- Do not connect an L.P. gas water heater to a natural gas supply.
- Use a new CSA approved gas supply line.
- Install a shut-off valve on the gas supply line.

Gas Pressure:

⚠ WARNING! The gas supply pressure must not exceed the maximum supply pressure as stated on the water heater's data plate. The minimum supply pressure is for the purpose of input adjustment. L.P. gas supply pressure must not exceed 13" water column. Have a qualified person (licensed plumber, gas company personnel, or authorized service technician) check for proper L.P. gas pressure. L.P. gas pressure exceeding 13" water column can result in serious injury or death from explosion or fire.

RISKS DURING OPERATION

Scalding Risk:



This water heater can make water hot enough to cause severe burns

instantly, resulting in severe injury or death.

- Feel water before bathing or showering.
- To reduce the risk of scalding, install Thermostatic Mixing Valves (temperature limiting valves) at each point-of-use. These valves automatically mix hot and cold water to limit the temperature at the tap. Mixing valves are available at your local plumbing supplier. Follow manufacturer's instructions for installation and adjustment of the valves.
- The gas control valve/thermostat on this water heater has been factory set to its lowest setting to reduce the risk of scalding. Higher temperatures increase the risk of scalding, but even at 120°F (49°C), hot water can scald. If you choose a higher temperature setting, Thermostatic Mixing Valves are particularly important to help avoid scalding.

Temperature	Time to Produce a Serious Burn
120°F (49°C)	More than 5 minutes
125°F (52°C)	1½ to 2 minutes
130°F (54°C)	About 30 seconds
135°F (57°C)	About 10 seconds
140°F (60°C)	Less than 5 seconds
145°F (63°C)	Less than 3 seconds
150°F (66°C)	About 1½ seconds
155°F (68°C)	About 1 second

For information about changing the factory temperature setting, refer to the "Adjusting the Temperature" section in this manual.

Even if you set the water heater's gas control valve/thermostat to a low setting, higher water temperatures may occur in certain circumstances:

- In some cases, repeated small draws of water can cause the hot and cold water in the tank to "stack" in layers. If this happens, the water can be as much as thirty degrees hotter than the gas control valve/thermostat setting. This temperature variation is the result of your usage pattern and is not a malfunction.
- Water temperature will be hotter if someone adjusted the gas control valve/thermostat to a higher setting.
- Problems with the gas control valve/thermostat or other malfunctions may result in higher than expected water temperatures.
- If the water heater is in a hot environment, the water in the tank can become as hot as the surrounding air, regardless of the temperature setting.

IMPORTANT SAFETY INFORMATION

- If the water supplied to the water heater is pre-heated (for example, by a solar heating system) the temperature in the tank may be higher than the water heater's temperature setting.
- Should overheating occur or the burner fail to shut off, turn off the manual gas supply valve to the water heater and call a qualified person.

To reduce the risk of unusually hot water reaching the fixtures in the house, install Thermostatic Mixing Valves.

If anyone in your home is at particular risk of scalding (for example, the elderly, children, or people with disabilities) or if there is a local code or provincial law requiring a certain water temperature at the hot water tap, these precautions are particularly important.

According to a national standard (ASSE 1070) and many local plumbing codes, the water heater's gas control valve/thermostat should not be used as the sole means to regulate water temperature and avoid scalds.

Properly adjusted Thermostatic Mixing Valves allow you to set the tank temperature to a higher setting without increasing risk of scalds. A higher temperature setting allows the tank to provide much more hot water and can help provide proper water temperatures for appliances such as dishwashers and washing machines. Higher tank temperatures (140°F/60°C) also kill bacteria that cause a condition known as "smelly water" and can reduce the levels of bacteria that cause water-borne diseases.

Water Contamination Risk:

Do not use chemicals that could contaminate the potable water supply. Do not use piping that has been treated with chromates, boiler seal, or other chemicals.

Fire Risk:



This water heater is equipped with a Flammable Vapor Ignition Resistance (FVIR) system. FVIR is designed to reduce the risk of flammable vapor-related fires. FVIR makes this product more sensitive to installation errors or improper installation environments. The FVIR system will not prevent a possible fire/explosion if flammable vapors have accumulated in the combustion chamber and the water heater is lit.

Do not attempt to light this appliance by any means if you suspect flammable vapors have accumulated inside or outside the appliance. Immediately call a qualified person to inspect the appliance. Water heaters subjected to a flammable vapors incident will show a discoloration on the flame arrester and require replacement of the entire water heater. Improper installation or an inadequate air supply can also cause the FVIR system to disable the water heater.

⚠ WARNING! This water heater has a resettable thermal switch installed as part of the FVIR system. Do not attempt to disable or modify this feature in any way. Doing so can lead to fire, explosion or excessive and abnormal production of carbon monoxide.

To reduce the risk of a fire that could destroy your home and seriously injure or kill people:

- Do not store things that can burn easily such as paper or clothes next to the water heater.
- Do not store or use gasoline or other flammable substances in the vicinity of this or any other appliance.
- Keep the water heater from becoming wet. Immediately shut the water heater off and have it inspected by a qualified person if you find that the wiring, thermostat or surrounding insulation have been exposed to water in any way (e.g., leaks from plumbing, leaks from the water heater itself can damage property and could cause a fire risk). If the water heater is subjected to flood conditions or the thermostat has been submerged in water, the entire water heater must be replaced.
- Replace the water heater's viewport if glass is missing or damaged. Repair the combustion chamber door seals if damaged.

Explosion Risk:



High temperatures and pressures in the water heater tank can cause an explosion resulting in property damage, serious injury or death. A new Temperature and Pressure (T&P) Relief Valve is included with your water heater to reduce risk of explosion by discharging hot water. Additional temperature and pressure protective equipment may be required by local codes.

A nationally recognized testing laboratory maintains periodic inspection of the valve production

IMPORTANT SAFETY INFORMATION

process and certifies that it meets the requirements for Relief Valves for Hot Water Supply Systems, ANSI Z21.22/ CSA 4.4 - current. The T&P Relief Valve's relief pressure must not exceed the working pressure rating of the water heater as stated on the rating plate.

Maintain the T&P Relief Valve properly. Follow the maintenance instructions provided by the manufacturer of the T&P Relief Valve (label attached to T&P Relief Valve). An explosion could occur if the T&P Relief Valve or discharge pipe is blocked. Do not cap or plug the T&P Relief Valve or discharge pipe.

Fire and Explosion Risk if Hot Water is Not Used for Two Weeks or More.

⚠ CAUTION! Hydrogen gas builds up in a hot water system when it is not used for a long period (two weeks or more). Hydrogen gas is extremely flammable. If the hot water system has not been used for two weeks or more, open a hot water faucet for several minutes at the kitchen sink before using any electrical appliances connected to the hot water system. If hydrogen is present there will probably be an unusual sound such as "air" escaping through a pipe as hot water begins to flow. Do not smoke or have an open flame or other ignition source near the faucet while it is open.

Carbon Monoxide Risk:

⚠ WARNING! This water heater operates by burning gas. Carbon monoxide is a colorless, odorless, gas that is a by-product of burning of fuels such as coal, wood, charcoal, oil, kerosene,



propane, and natural gas. Breathing excessive and abnormal amounts of carbon monoxide can cause carbon monoxide poisoning, resulting in serious injury or death. This water heater must be supplied with adequate combustion air and must be properly vented to the outdoors. Have a qualified person (licensed plumber, authorized gas company personnel, or authorized service technician) install the venting system using these installation instructions. When the installation is complete, check the vent's draft using the instructions on page 19.

- Install a fuel gas and carbon monoxide detector in the living areas of your home.
- Do not install this water heater in a mobile home or manufactured housing.
- Failure to follow these instructions can result in serious injury or death from carbon monoxide poisoning.

Burn Risk:



This water heater's venting system can become hot enough to burn. Do not touch the venting system while the water heater is on, or until the water heater is turned off and the venting allowed to cool.

Installation Accessories



Figure 1 - Gas Water Heater Hook-Up Kit



Figure 2 - Install a Pressure Reducing Valve

1

Review all of the instructions before you begin work. Improper installation can

damage the water heater, your home and other property, and can present risks of serious injury or death.

2

This water heater is design-certified by CSA International as a Category I, non-direct

vented water heater which takes its combustion air either from the installation area or from air ducted to the unit from the outside. This water heater must be installed according to all local and provincial codes or, in the absence of local and provincial codes, the Natural Gas and Propane Installation Code (B149.1 - current edition). This is available from the following:

CSA Group
178 Rexdale Blvd. Toronto ON M9W 1R3
or shopcsa.ca

Check with local code officials about codes governing this installation. Have your installation inspected by a code official to ensure the installation meets all local codes.

NOTICE: This water heater must be installed and started by a person deemed qualified by the (local gas) authority having jurisdiction.

Combustion and Ventilation Air Supply

▲ WARNING! This gas water heater requires an adequate source of clean air for combustion and ventilation. Without sufficient air, your water heater may emit excessive and abnormal amounts of carbon monoxide.

Combustion and ventilation air must be provided that meets the requirements of B149.1 Natural Gas and Propane Installation Code.

Check for Chemicals:

Installations where corrosive chemicals may be present require outside air. Air for combustion and ventilation must be clean and free of corrosive or acid-forming chemicals such as sulfur, fluorine, and chlorine. Ventilation with outside air will reduce these chemicals, but it may not completely eliminate them. Failure due to corrosive chemicals is not covered by the warranty. Examples of locations that require outside air due to chemicals include:

- Beauty salons
- Photo processing labs
- Indoor pools
- Laundry, hobby, or craft rooms
- Chemical storage areas

Products such as aerosol sprays, detergents, bleaches, cleaning solvents, gasoline, air fresheners, paint and varnish removers, and refrigerants should not be stored or used near the water heater.

Venting

▲ WARNING! Carbon Monoxide Hazard. This water heater must be supplied with adequate air and vented to outdoors. The vent system must be installed by a person deemed qualified by the (local gas) authority having jurisdiction. Failure to properly vent the water heater can result in severe injury or death from carbon monoxide poisoning.

The vent system must be installed according to local and provincial codes, or in the absence of local or provincial codes, the current edition of the Natural Gas and Propane Installation Code, B149.1. Do not common vent this water heater with any power vented appliance. Do not use a vent damper anywhere in the vent system of this water heater.

To reduce the risk of carbon monoxide poisoning, install a fuel gas and carbon monoxide detector. Install and maintain the detector in accordance with the manufacturer's instructions and local codes.

Replacing a Water Heater Using the Existing Vent System

Read the "Installing a New Vent System" section of this manual and make sure your vent system is properly installed. Inspect the existing vent system for obstructions, corrosion, and proper installation. Repair or replace if necessary. The existing vent system must be listed Type B double-wall or single-wall metal vent pipe of either 3 inch (76 mm) or 4 inch (102 mm) diameter and installed according to the vent manufacturer's instructions and the terms of its listing. Do not use other materials such as a dryer vent hose.

GETTING STARTED

Installing New Vent System

The vent pipe must meet the following specifications:

Type of Material

UL listed Type B double-wall or single-wall metal vent pipe must be used. Local codes may be more restrictive and may not allow single-wall vent pipe. Single-wall vent pipe may not pass through attic spaces, crawl spaces, or any confined or inaccessible location. Single-wall vent pipe cannot pass through any interior wall.

Clearance to Combustible Materials

Any part of the vent system must maintain the following clearances from any combustible materials:

- Single-wall vent pipe must maintain a six inch (15.2 cm) clearance from combustible materials.
- The clearance from combustible materials of UL listed Type B double-wall vent pipe is specified by the manufacturer of the vent pipe. UL listed Type B double-wall vent pipe may pass through walls or partitions constructed of combustible material if the minimum clearance specified by the manufacturer of the vent pipe is maintained.

Gas Piping

Gas piping must be installed according to local and provincial codes or, in the absence of local and provincial codes, B149.1 Natural Gas and Propane Installation Code.

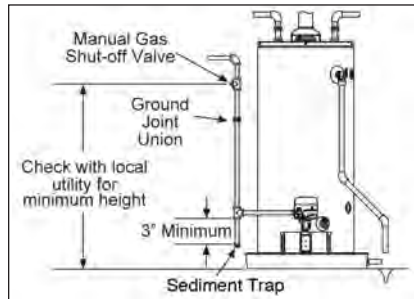


Figure 3 - Gas Piping

Gas Pressure

NOTICE: When testing gas pipes with a test pressure of more than 1/2 psi (3.5 kPa), disconnect the gas line at the manual shut-off valve and cap the gas line. Do not subject the water heater's gas control valve/thermostat or manual shut-off valve to more than 1/2 psi (3.5 kPa) pressure for any reason. If you are pressure testing the gas line with test pressure of 1/2 psi (3.5 kPa) or less, you may isolate the water heater from the gas line by closing the manual shut-off valve.

Space Heating

Some water heater models are equipped with inlet/outlet connections for use with space heating applications. If this water heater is to be used to supply both space heating and domestic potable (drinking) water, the instructions listed below must be followed:

- This water heater is suitable for combination water (potable) heating and space heating and not suitable for space heating applications only.
- Be sure to follow the manual(s) shipped with the air handler system.
- This water heater is not to be used as a replacement for an existing boiler installation.
- Do not use with piping that has been treated with chromates, boiler seal or other chemicals and do not add any chemicals to the water heater piping.
- If the space heating system requires water temperatures in excess of 120°F (49°C), install a Thermostatic Mixing Valve in the domestic (potable) hot water supply to limit the risk of scald injury. Install the mixing valve per its manufacturer's instructions.
- Pumps, valves, piping, and fittings must be compatible with potable water.
- A properly installed flow control valve is required to prevent thermosiphoning. Thermosiphoning is the result of a continuous flow of water through the air handler circuit during the off cycle.

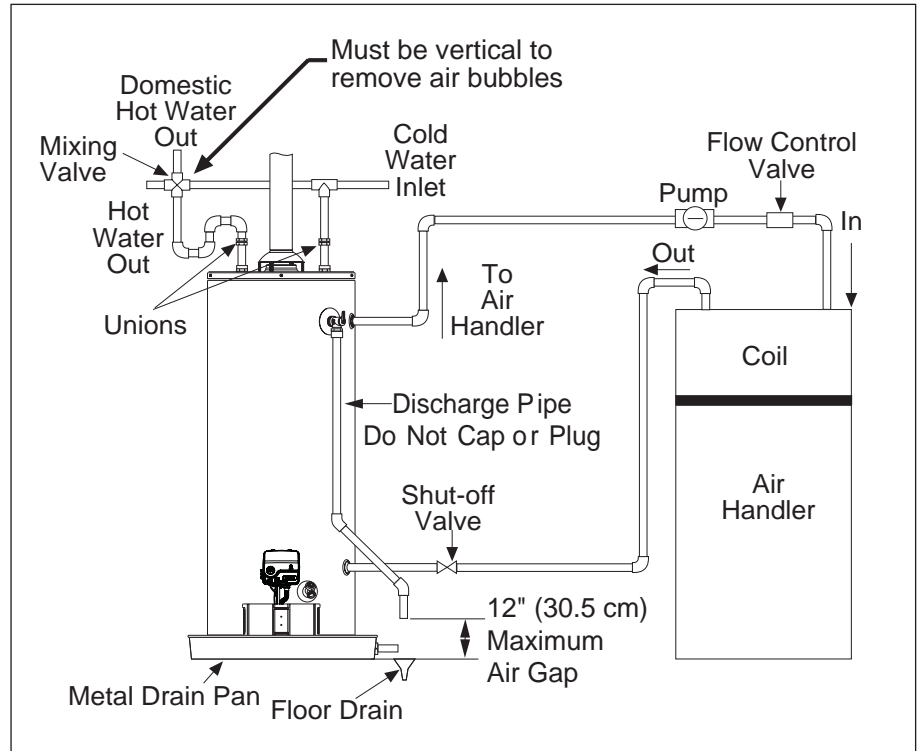


Figure 4 - Combustion Space Heating and Potable Water (Typical Installation)

- The domestic hot water line from the water heater should be vertical past any mixing valve or supply line to the air handler to remove air bubbles from the system. Otherwise, these bubbles will be trapped in the air handler heat exchanger coil, reducing efficiency.
- Do not connect the water heater to any system or components previously used with non-potable water heating appliances when used to supply potable water.

Solar Installation

If this water heater is used as a solar storage heater or as a backup for the solar system, the water supply temperatures to the water heater tank may be in excess of 120°F (49°C). A Thermostatic Mixing Valve or other temperature limiting valve must be installed in the water supply line to limit the supply temperature to 120°F (49°C). The unit must be set to Standard Mode. (See Operating Modes in Operation section on page 20).

NOTICE: Solar water heating systems can often supply water with temperatures exceeding 180°F (82°C) and may result in water heater malfunction.

INSTALLATION

Step 1:

✓ Verify that Your Home is Equipped and Up-to-Date for Proper Installation

Installing a new water heater is the perfect time to examine your home's plumbing system and make sure the system is up to current code standards. There have likely been plumbing code changes since the old water heater was installed. We recommend installing the following accessories and any other needed changes to bring your home up to the latest code requirements. Updating your plumbing system can help extend the life of your water heater, avoid damage to your home and property, and reduce the risk of serious injuries or death. Inspect your home and install any devices you need to comply with current codes and assure that your new water heater performs at its best. Check with your local plumbing official for more information.

✓ Water Pressure

Most codes allow a maximum incoming water pressure of 80 psi (551 kPa). Check your home's water pressure with a pressure gauge and adjust if necessary. High water pressure can damage the water heater, piping, and other appliances.

HOW: Purchase an inexpensive water pressure gauge available at your local plumbing supplier. Connect the water pressure gauge to an outside faucet and measure the maximum water pressure experienced throughout a 24-hour period (highest water pressures often occur at night).

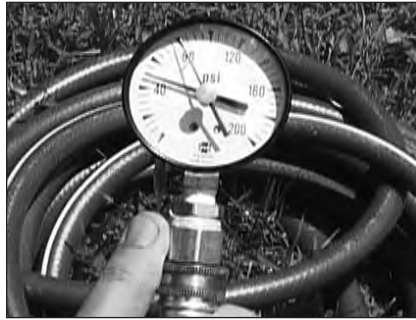


Figure 5 - Use a Water Pressure Gauge to make sure your home's water pressure is not too high.

✓ Water Pressure Increase Caused by Thermal Expansion

Verify that you have a properly sized Thermal Expansion Tank. We recommend installing an expansion tank if your home does not have one. Plumbing codes require a properly pressurized, properly sized Thermal Expansion Tank in all homes that have back flow, check, or pressure reducing valves.



Figure 6 - A Thermal Expansion Tank helps protect the home's plumbing system from pressure spikes.

HOW: Connect the Thermal Expansion Tank (available at your local plumbing supplier) to the cold water supply line near the water heater. The expansion tank contains a bladder and an air charge. To work properly, the Thermal Expansion Tank must be sized according to the water heater's tank capacity and pressurized to match the home's incoming water pressure. Refer to the instructions provided with the Thermal Expansion Tank for installation details.

BACKGROUND: Water expands when heated, and the increased volume of water must have a place to go, or thermal expansion will cause large increases in water pressure (despite the use of a Pressure Reducing Valve in the home's main water supply line). Backflow preventers are often installed in water meters and may not be readily visible. As a result, most all plumbing systems today are now "closed," and almost all homes now need a Thermal Expansion Tank.

A Thermal Expansion Tank is a practical and inexpensive way to help avoid damage to the water heater, washing machine, dishwasher, ice maker, and even toilet valves. If your toilet occasionally runs for no apparent reason (usually briefly at night), that may be due to thermal expansion increasing the water pressure temporarily.

INSTALLATION

Water Pipe and Tank Leaks

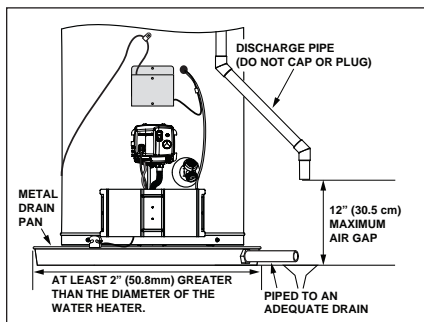


Figure 7 - A metal drain pan piped to an adequate drain can help protect flooring from leaks and drips.

Leaks from plumbing pipes or from the water heater itself can damage property and could cause a fire risk.

- Install an automatic leak detection and shut-off device (available at your local plumbing supplier). These devices can detect water leaks and can shut off the water heater's water supply if a leak occurs.
- Install a metal drain pan (available at your local plumbing supplier) under the water heater to catch condensation or leaks from the piping connections or tank. Most codes require, and we recommend, installing the water heater in a metal drain pan that is piped to an adequate drain. The drain pan must be at least 2 inches (50.8 mm) wider than the diameter of the water heater. Install the drain pan so the water level would be limited to a maximum depth of 1-3/4" (44.5 mm). The pan must not restrict air flow to the burner.

Water Temperature Regulation

Install Thermostatic Mixing Valves to regulate the temperature of the water. Install and adjust the mixing valve according to its manufacturer's instructions.

⚠ WARNING! Even if the water heater's thermostat is set to a relatively low temperature, hot water can scald. Install Thermostatic Mixing Valves to reduce the risk of scalding.



Figure 8 - Thermostatic Mixing Valves can help avoid scalding.

BACKGROUND: A Thermostatic Mixing Valve mixes hot water from the water heater with cold water to more precisely regulate the temperature of hot water supplied to fixtures. If you aren't sure if your plumbing system is equipped with properly installed and adjusted Thermostatic Mixing Valves, contact a qualified person.

Step 2:

Verify that the Location is Appropriate

⚠ WARNING! Do not store or use flammable materials, vapors, or

liquids in the same location where this water heater is installed.

Before installing your water heater, ensure that it will be located:

- Indoors in an area with adequate air supply.
- In an area that will not freeze.
- As close as possible to a chimney or vent.
- In a metal drain pan piped to an adequate drain.
- In an area suitable for vertical installation.
- In an area with adequate space (clearances) for periodic servicing (there must be a minimum of 24 inches (61 cm) of front clearance).
- In an area that allows a minimum clearance from combustible surfaces as stated on the data plate.
- On a floor that can support the weight of a water heater full of water.
- Within 6 feet of a 120VAC outlet. Do not use extension cord.

You will also want to follow these guidelines while considering an appropriate location:

- Do not install near air-moving devices such as exhaust fans, ventilation systems, or clothes dryers.
- Do not obtain ventilating air for the furnace/air handler from the same space as the water heater. Ensure that any return air ducts near the water heater are sealed.
- If the water heater is located in an area subject to lint, dust, or oily

INSTALLATION

vapors, at least annually check and clean the air filter. See Maintenance section for steps on cleaning the air filter.

- Do not install in a bathroom, bedroom, or any occupied room normally kept closed.
- If the water heater is installed directly on carpeting, it shall be installed on a metal or wood panel extending beyond the full width and depth of the water heater by at least 3 inches (76 mm) in any direction. If the water heater is installed in an alcove or closet, the entire floor shall be covered by the aforesaid panel.
- If your area is prone to earthquakes, use special straps as required by local building codes.
- Do not install in a location prone to physical damage by vehicles, flooding, or other risks.
- Avoid locations such as attics, upper floors, or where a leak might damage the structure or furnishings. Due to the normal corrosive action of water, the tank will eventually leak. To minimize property damage from leaks, inspect and maintain your water heater in accordance with this manual's instructions. Install a metal drain pan under the water heater piped to an adequate drain. Inspect the drain pan, pipes, and surrounding area regularly and fix any leaks found.

Step 3:

Removing the Old Water Heater

- 1 Review each installation step and decide if you have the

necessary skills to install the water heater. Only proceed if you are comfortable you can safely perform the work. If you are not sure, have a qualified person perform the installation.

- 2 On the old water heater, turn the control knob on the gas control valve to the OFF position.

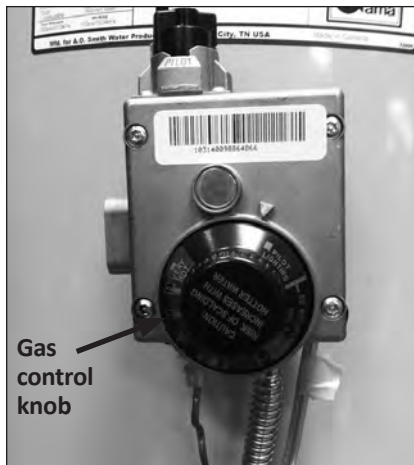


Figure 9 - Turn gas control/temperature knob OFF.

- 3 Turn the manual gas valve for the water heater's supply line OFF.
- 4 Open a hot water faucet and let the hot water run until it is cool (this may take 10 minutes or longer).



Figure 10 - Let the hot water run until it is cool.

⚠ WARNING! Be sure the water runs cool before draining the tank to reduce the risk of scalding.

- 5 Connect a garden hose to the drain valve and place the other end of the hose in a drain outside, or in buckets. Sediment in the bottom of the tank may clog the valve and prevent it from draining. If you can not get the tank to drain, contact a qualified person.

- 6 Turn the cold water supply valve OFF.



Figure 11 - Cold water supply in OFF position.

- 7 Using a standard flathead screwdriver, open the drain valve. Sediment buildup in the bottom of the water heater may hinder or prevent draining.



Figure 12 - Draining the old water heater.

- 8 Also open a hot water faucet to help the water in the tank drain faster.
- 9 When the tank is empty, disconnect the Temperature & Pressure (T&P) Relief Valve

INSTALLATION

discharge pipe. You may be able to reuse the discharge pipe, but do not reuse the old T&P Relief Valve. A new T&P Relief Valve comes with your new water heater.



Figure 13 - Removing the T&P Relief Valve discharge pipe.

10 Allow the vent pipe and draft hood to cool. Once cooled, disconnect the vent pipe from the draft hood. You may need to support the vent pipe until the new water heater is in place.



Figure 14 - Disconnect the vent pipe from the draft hood.

11 Disconnect the water pipes. Many water pipes are connected by a threaded union which can be disconnected with wrenches. If you must cut the water pipes, cut the pipes close to the water heater's inlet and outlet connections, leaving the water pipes as long as

possible. If necessary, you can make them shorter later when you install the new water heater.

12 Confirm the manual gas valve for the water heater's supply line is turned OFF. Disconnect the gas line from the water heater's gas control valve/thermostat and cap it.

13 Remove the old water heater. Use an appliance dolly or hand truck to move the water heater.

⚠ WARNING! Use two or more people to remove or install a water heater. Failure to do so can result in back or other injury.

Step 4:

Installing the New Water Heater

1 Completely read all instructions before beginning. If you are not sure you can safely complete the installation, schedule an appointment with a qualified person to install your water heater.

2 Install a metal drain pan (if required) that is piped to an adequate drain.

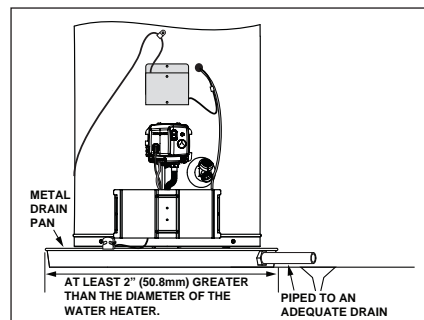


Figure 15 - Metal drain pan piped to drain.

3 Set the water heater in place taking care not to damage the drain pan. When installing directly on carpet, the water heater must be installed on a wood or metal base that extends beyond the dimensions of the water heater (width and depth) by at least 3 inches (76.2 mm) in any direction. If the water heater is installed on carpet in an alcove or closet, the entire floor must be covered by a wood or metal panel.

NOTICE: The drain pan helps avoid property damage which may occur from condensation or leaks in the piping connections or tank. The drain pan must be at least 2 inches (50.8 mm) wider than the diameter of the water heater. Install the drain pan so the water level is limited to a maximum depth of 1-3/4" (44.5 mm).

4 Verify that the water heater is set in place properly. Check that:

- There is adequate space to install the T&P Relief Valve discharge pipe and that it can be piped to a separate drain (and not into the drain pan).
- There is adequate access and space around the water heater for future maintenance.
- The water heater is installed vertically.

Step 5:

Check the Air Filter

This water heater is equipped with a base-ring air filter. Before proceeding to the next step, visually check the filter to ensure it is properly seated in the base-ring. Do not operate the water heater without a clean air filter in place.

INSTALLATION

Step 6:

Connect the Temperature and Pressure (T&P) Relief Valve/Pipe

Most T&P Relief Valves are pre-installed at the factory. In some cases, they are shipped in the carton and must be installed in the opening marked "T&P Relief Valve" and according to local codes.



Figure 16 - Temperature and Pressure Relief Valve

⚠ WARNING! To avoid serious injury or death from explosion, install a T&P Relief Valve according to the following instructions:

If the T&P Relief Valve was not factory installed, install the new T&P Relief Valve that came with your water heater. Do not reuse an old T&P Relief Valve.

- The discharge pipe should be at least 3/4" (19 mm) inside diameter and sloped for proper drainage. Install it to allow complete drainage of both the T&P Relief Valve and the discharge pipe.

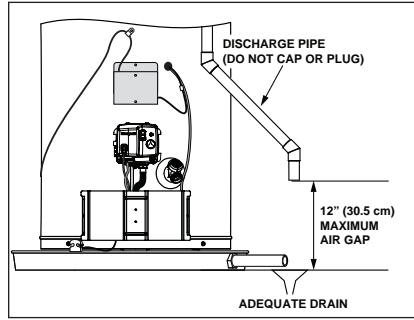


Figure 17 - Temperature and Pressure Relief Valve Pipe (Discharge Pipe)

- The discharge pipe must not be smaller than the pipe size of the T&P Relief Valve. The pipe must also be able to withstand 250°F (121°C) without distortion. Use only copper or CPVC pipe. Do not use any other type of pipe, such as PVC, iron, flexible plastic pipe, or any type of hose.
- Terminate the discharge pipe a maximum of 12 inches (30.5 cm) above a floor drain, sump or other safe location. Do not drain the discharge pipe into the drain pan; instead pipe it separately to an adequate drain.
- Do not place any valve or other restriction between the tank and T&P Relief Valve. Do not cap, block, plug, or insert any valve between the T&P Relief Valve and the end of the discharge pipe. Do not insert or install any reducer in the discharge pipe.

Step 7

Install Shut-off and Thermostatic Mixing Valves

- 1 If one is not already installed, install a manual shut-off valve in the cold water line that supplies the water heater. Install the

shut-off valve near the water heater so that it is readily accessible. Only use a full-flow ball or gate valve compatible with potable water.

- 2 Install a Thermostatic Mixing Valve per the valve manufacturer's instructions.



Figure 18 - Install Thermostatic Mixing Valves

⚠ WARNING! Even if the water heater's thermostat is set to a relatively low temperature, hot water can scald. Install Thermostatic Mixing Valves to reduce the risk of scalding.

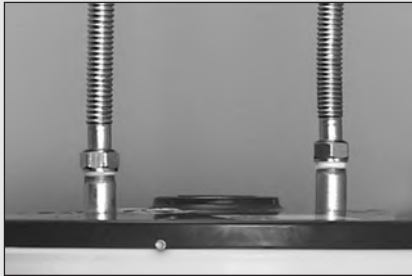
- 3 For water heaters that are fed by a solar water heating system (or any other pre-heating system), always install a Thermostatic Mixing Valve or other temperature limiting device in the inlet water supply line to limit water supply inlet temperatures to 120°F (49°C). Solar water heating systems can supply water with temperatures exceeding 180°F (82°C) and may result in water heater malfunction.

⚠ WARNING! Hot water provided by solar heating systems can cause severe burns instantly, resulting in severe injury or death.

INSTALLATION

IF YOU HAVE COPPER PIPES:

If your home has copper water pipes, you can solder the water pipe connections or use compression fittings which don't require soldering. Compression fittings are easier to install than soldering pipe. Check with local plumbing officials to determine what types of pipe materials are suitable for your location. Do not use lead-based solder.



Compression fittings don't require soldering.

NOTICE: Do not solder pipes while they are attached to the water heater. The water heater's inlet and outlet

connections contain non-metallic parts which could be damaged. The proper way to connect the water heater to copper water pipes is as follows:



- Solder a short length of pipe (about a foot) to a threaded adapter using only 95/5 tin-antimony or equivalent solder. Attach the threaded adapters to the water heater's connections (using thread sealant tape or pipe joint compound). Connect the home's water pipes by soldering, keeping the connections at the water heater cool with wet rags.

Step 8

Connect the Water Supply

Note that all piping components connected to the water heater must be suitable for use with potable water.

1 Determine the type of water pipes in your home. Most homes use copper water pipes, but some use CPVC or cross-linked polyethylene (PEX). Use fittings appropriate for the type of pipe in your home. Do not use iron or PVC pipe.

2 Connect the cold water supply using 3/4 inch National Pipe Thread "NPT" to the fitting marked "C" (COLD).

For ease of removing the water heater for service or replacement, connect the water pipes with a coupling called a union. We recommend using a dielectric-type union (available at your local plumbing supplier). Dielectric unions can help prevent corrosion caused by tiny electric currents common in copper water pipes and can help extend the life of the water heater.

NOTICE: Most water heater models contain energy saving heat traps in the inlet and outlet connections. Do not remove the heat traps.

3 Connect the hot water supply using 3/4 inch NPT to the fitting marked "H" (HOT).

4 Install insulation on the water pipes. Insulating the hot water pipes can increase energy efficiency.

5 Install a Thermal Expansion Tank if required.



Figure 19 - A Pressure Reducing Valve is required if your home's water pressure is above 80 psi (551 kPa).



Figure 20 - The Thermal Expansion Tank should be pressurized with air to match the home's incoming water pressure.

INSTALLATION

Step 9

Verify Connections and Completely Fill Tank

To remove air from the tank and allow the tank to fill completely with water, follow these steps:

- 1 Remove the aerator at the nearest hot water faucet. This allows debris in the plumbing system to be washed out of the pipes.
- 2 Turn the cold water supply back on and fill the tank.
- 3 Open a hot water faucet and allow the water to run until it flows with a full stream.
- 4 Let the water run full stream for three minutes.
- 5 Close the hot water faucet and replace the aerator.
- 6 Check inlet and outlet connections and water pipes for leaks. Dry pipe connections so that any drips or leaks will be apparent. Repair any leaks. Almost all leaks occur at connections and are not a tank leak.

Step 10

Install Draft Hood

- 1 Install the new draft hood by aligning the legs and inserting them into the slots on the flue damper's flange (see Figure 21). Do not reuse the draft hood from the old water heater, but rather use the new one that came with your new water heater.
- 2 Secure the draft hood by bending the leg tips, but do not alter the draft hood in

any way.

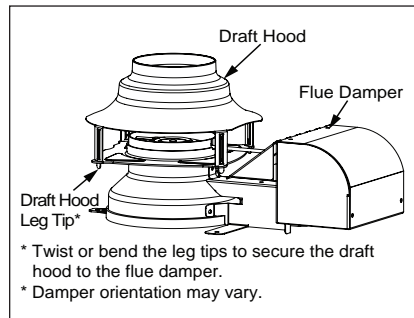


Figure 21 - Install the new draft hood.

- 3 Attach the home's existing vent pipe to the draft hood outlet using an approved vent adapter (not supplied). Read the Venting section on page 7 of this manual. Make sure your home's venting system complies with the instructions in this manual and is in good condition.

Step 11

Make Gas Connections

The gas connections should be made by a qualified person following the requirements of B149.1.



Figure 22 - Flexible Gas Line Connector

Once gas connections have been made, use a small, soft-bristled brush to apply a hand dishwashing soap and water mixture or children's soap bubbles (1 part soap to 15 parts

water) to all connection points of the gas line and flexible gas connector (if used). Make sure to generously coat all the connections and check for gas leaks (which will appear as small bubbles). If any leaks are detected, turn the gas supply off, tighten the leaking connection(s) and re-check.

Step 12

Electrical Connections

Before plugging in the water heater, always make sure:

- The Voltage and frequency correspond to that specified on the water heater.
- The electrical outlet has the proper overload fuse or breaker protection.
- Water heater to be located within 6 feet of 120VAC outlet.
- Unit is to connect to a 120VAC electrical supply outlet (extension cord is not allowed).
- The water heater and the outlet are properly grounded.
- Installed in accordance with CSA C22.1 - current edition (Canadian Electrical Code) and all local/provincial codes.
- See Figure 44 on page 31 for Wire Diagram.

⚠ WARNING! Electric Shock Hazard: Disconnect power before servicing. Replace all parts and panels before operating. Failure to do so can result in death or electric shock.

⚠ WARNING! Electric Shock Hazard: Plug into a grounded 3 prong outlet. Do not remove ground prong. Do not use an adapter. Do not use an extension cord. Failure to follow these instructions can result in death, fire or electric shock.

INSTALLATION

Step 12

Before Lighting the Water Heater...

Make sure all checklist items have been completed.

Water Heater Location

- ✓ Installation area free of corrosive or flammable materials, liquids or vapors.
- ✓ Proper clearances from combustible surfaces maintained and sufficient room to service the water heater.
- ✓ Not installed directly on a carpeted floor.
- ✓ Metal drain pan (if required) installed and piped to an adequate drain.
- ✓ Water heater not located near an air moving device (fan, clothes dryer).
- ✓ Not in a location with large amounts of lint, dust, etc. (if so, the air filter or flame arrestor located on the bottom of the water heater will need to be cleaned more often).

Combustion Air Supply and Ventilation

- ✓ Adequate air supply for water heater and any other nearby gas appliances.

If the water heater is installed in a closet or other small, enclosed space or within the living space of the house, air supply openings needed.

- ✓ Openings are of sufficient size.
- ✓ Ductwork is the same cross-sectional area as openings.
- ✓ Outside air openings are preferred and may be required in tightly built homes. Follow B-149.1 Natural Gas and Propane Installation Code - current edition.

Vent Pipe System

- ✓ New draft hood, properly installed.
- ✓ Vent pipe securely fastened to draft hood with screws and supported properly.
- ✓ Vent pipe made of approved material and either 3" (76 mm) or 4" (102 mm) in diameter.
- ✓ Vent system installed according to local and provincial codes or, in the absence of local and provincial codes, the B-149.1 Natural Gas and Propane Installation Code - current edition.
- ✓ Check existing vent system for rust, restrictions and obstructions.

Water System Piping

- ✓ Temperature and Pressure Relief Valve properly installed with a discharge line run to an adequate drain.
- ✓ Water pipes free of leaks.
- ✓ Water heater completely filled with water.
- ✓ Thermal Expansion Tank installed.
- ✓ Water Pressure Reducing Valve installed.
- ✓ Thermostatic Mixing Valves installed.

Gas Supply and Piping

- ✓ Gas type is the same as that listed on the water heater's data plate.
- ✓ Gas line equipped with shut-off valve.
- ✓ Adequate gas pipe size and appropriate gas pipe material.
- ✓ All gas connections and fittings leak checked and any leaks corrected.

OPERATION

Lighting Instructions

⚠ WARNING! Explosion Hazard – Replace viewport if glass is missing or damaged. Failure to do so can result in death, explosion or fire.

Read and understand these directions thoroughly before attempting to put the water heater into operation. Make sure the viewport is not missing or damaged. Make sure the tank is completely filled with water before lighting the pilot. Check the data plate near the gas control valve/thermostat to ensure the correct gas type. Do not use this water heater with any gas other than the one listed on the data plate. If you have any questions or doubts, consult your gas supplier or gas utility company.

NOTICE: A newly installed water heater will have air in the gas line. It may take several lighting attempts to clear all the air from the gas line and light the pilot.

Follow these steps to light the pilot:

- 1 Make sure the manual gas valve for the water heater's supply line is ON.



Figure 23 - Manual Gas Valve in ON position.

- 2 Plug the water heater into a grounded 120 VAC outlet.
- 3 Move the ON/OFF switch on the gas control valve/thermostat to the ON position.

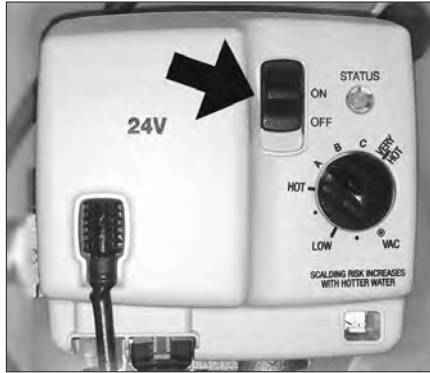


Figure 24 - Move switch to ON position.

- 4 Turn the gas control valve/thermostat to the LOW temperature setting.

The water heater will light automatically. Do not try to light the pilot by hand.

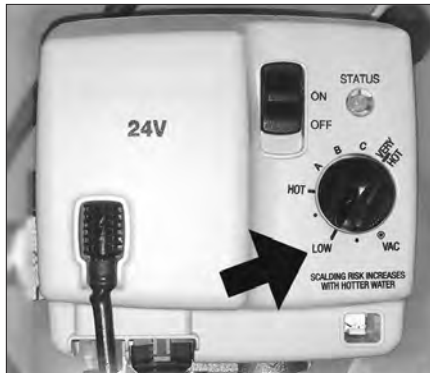


Figure 25 - Set knob to LOW setting.

- 5 When the pilot is lit, the status light will blink a heartbeat (bright, dim, bright, dim, etc.).

Adjust the gas control knob to the HOT setting.

If you receive a flash code (six flashes followed by a single flash):

- a. Turn the power switch on the gas control valve/thermostat to the OFF position.
- b. Unplug the water heater from the wall outlet.
- c. **Wait 10 minutes.**
- d. Repeat steps 1 through 4.

- 6 Follow these steps if the Status Light does not start flashing a "heartbeat" after three lighting attempts:

- a. Turn off gas to the water heater at the manual shut-off valve.
- b. Move the gas valve's ON/OFF switch to the OFF position.
- c. Refer to "No Hot Water" in the Troubleshooting section on page 21.

- When a gas water heater is first lit and the tank is cold, condensation often forms inside the water heater. You may hear drips or a sizzling sound when the water heater is first lit, or you may see a small puddle on the floor. Condensation is not a leak and will go away once the tank reaches normal operating temperature.

- The air filter at the bottom of the water heater must be cleaned from time to time. See the Maintenance section for steps on cleaning the air filter.

Shut Down Instructions

Move the ON/OFF switch on the gas control valve/thermostat to the OFF position. The status light will stop blinking and stay on for a short time after the water heater is turned off.

Emergency Shut Down

Should overheating occur or the gas supply fails to shut off, follow these steps:

- a. Turn off gas to the water heater at the manual shut-off valve.
- b. Move the gas valve's ON/OFF switch to the OFF position.
- c. Turn off all electric power to the water heater (unplug it from the 120 VAC outlet).

OPERATION

Checking the Vent System and Air Supply

Once the water heater is lit and the gas control knob is set to the desired temperature, the burner will light (if the tank is cold). Perform an air supply and vent test to make sure the unit is venting properly and the air supply is adequate.

1 The main burner must be on for this test. With a newly installed water heater full of cold water, turning the temperature control knob to HOT should cause the main burner to come on. You can view the burner through the sight glass at the base of the water heater.

2 Close all windows and doors and turn on all gas appliances and air-moving devices (range hoods, bathroom exhaust fans, ceiling fans, etc.) in your home. Also, close any fireplace dampers.

3 Allow the water heater's main burner to operate for five minutes. Pass a newly extinguished match approximately one inch (25.4 mm) from the draft hood's relief opening. Smoke from the match should be steadily drawn into the opening indicating the water heater is getting adequate air and the vent system is working.



Figure 26 - Test the air supply and vent to make sure the water heater has adequate air and is venting properly.

4 If the main burner has been operating for five minutes but the match smoke drifts around or is blown away from the opening:

- Turn off gas to the water heater at the manual shut-off valve.
- Move the gas valve's ON/OFF switch to the OFF position.
- Turn off all electric power to the water heater (unplug it from the 120 VAC outlet).

Inspect the vent system and repair if necessary. In many cases, failure to pass the air supply and vent test indicates the water heater is not getting enough air or there is a problem with the vent system. It may be necessary to increase the air supply by getting air from outside (see page 7).

⚠ WARNING! Burn Hazard – Do not touch the vent. Doing so can cause burns. If the draft hood does not draw in smoke from a match after five minutes of main burner operation, shut off the gas supply, and do not operate the water heater until the vent system and air supply have been checked by a qualified person and repaired if necessary. Continuing to operate the water heater in this condition could lead to serious injury or death from carbon monoxide poisoning.

Temperature Control System

Adjusting the Temperature

With the installation steps completed, you may adjust the water heater's temperature setting if desired.

1 Set the gas control knob to the desired temperature. The "HOT" setting sets the water temperature to approximately 120°F (49°C), reducing the risk of scald injury. You may wish to set a higher temperature to provide hot water for automatic dishwashers or laundry machines, to provide more hot water capacity, and to reduce bacterial growth. Higher tank temperatures (140°F/60°C) kill bacteria that cause a condition known as "smelly water" and can reduce the levels of bacteria that cause water-borne diseases.

Water usage patterns, as well as heat from sources such as solar collectors and ambient air, can result in temperatures higher than the thermostat set point.

⚠ WARNING! Higher temperatures increase the risk of scalding, but even at 120°F (49°C), hot water can scald (see Table 1). Install Thermostatic Mixing Valves to reduce the risk of scalding.

OPERATION

- 2** To adjust the water heater's thermostat:

Turn the gas control knob on the gas control valve/thermostat to the desired setting:



Figure 27 - Adjusting the gas control knob.

- VAC 55°F/13°C
- LOW 91°F/33°C
- **HOT 120°F/49°C**
- A 130°F/54°C
- B 140°F/ 60°C
- C 150°F/66°C
- VERY HOT 155°F/68°C

NOTICE: The temperatures above are approximates. The actual temperature of the heated water may vary.

- 3** Wait for the water to heat up. If you have no hot water after two hours, refer to the Troubleshooting section on page 21.

NOTICE: If the tank is full of cold water, condensation may form inside the water heater. This condensation may drop on the burner causing a sizzling sound. In some cases, you may see a small puddle on the floor. Condensation is normal and should go away once the tank reaches its normal operating procedure.

⚠ WARNING! If you have increased the temperature setting and the Thermostatic Mixing Valves are not set properly (or installed) you could scald yourself while checking the temperature.

- 4** Check water temperature at several points of use in your home (for example, bathtub faucet, shower, or lavatory sink) and adjust the Thermostatic Mixing Valves as needed. If you are not sure how to adjust the Thermostatic Mixing Valve settings, or are not sure if you have Thermostatic Mixing Valves, contact a qualified person.

Operating Modes

The gas control valve/thermostat has two different operating modes: Standard and Vacation. The Standard mode allows you to adjust the water temperature to your desired setting. The Vacation (VAC) mode sets the thermostat at approximately 55°F (13°C) and is recommended when not using hot water for an extended period of time. The VAC setting also reduces energy losses and keeps the tank from freezing during cold weather but can cause a Hydrogen gas buildup. See caution on page 6.

TROUBLESHOOTING

No Hot Water

Use the following step-by-step plan as a guide to help determine why you have no hot water.

1 Check the Status Light

The Status Light on the gas control valve flashes once every four seconds when there are no problems and there is no call for heat.



Figure 28 - Status Light

If the Status Light is flashing once every four seconds and you have no hot water, make sure the gas control knob is set to HOT.

If the Status Light flashes a different pattern than is described above, refer to “Gas Control Valve/Thermostat - Status Light Codes” starting on page 23.

If the Status Light is not flashing, go to Step 2.

2 Status Light is Not Flashing

If the Status Light on the gas control valve/thermostat does not flash, the system may be locked out. Refer to “Gas Control Valve/Thermostat - Status Light Codes” on page 23. Be sure to read the notes at the top of the flowchart.

Insufficient Hot Water or Slow Hot Water Recovery

▲ WARNING! Because of the increased risk from scalding, if you set the water heater’s gas control knob higher than 120°F (49°C), install Thermostatic Mixing Valves. Due to the increased risk of scalding, do not set the temperature of the Thermostatic Mixing Valves above 120°F (49°C).

If the hot water is simply not warm enough, there are several possible causes:

- Faulty Thermostatic Mixing Valve in a faucet or shower control (check other faucets in the house for hot water).
- Water heater’s capacity too small (or usage too high).
- Reversed plumbing connections or melted dip tube (usually found soon after new installation).
- Plumbing leak.
- Sediment or lime buildup in the bottom of the tank.

Thermostatic Mixing Valves: If the hot water is simply not warm enough, make sure the faucet you are checking does not have a defective Thermostatic Mixing Valve. Many shower controls now have built-in mixing valves. If these devices fail, they can reduce the amount of hot water the shower or faucet delivers even though there is plenty of hot water in the tank. Always check the water temperature at several faucets to make sure the problem is not in a faucet or shower control.

Undersized Water Heater: If your water heater runs out of hot water

quickly, it may be too small for your needs. If the water heater is old, consider replacing it with a larger model. If the water heater is in good condition, you may be able to meet your family’s hot water needs with the existing water heater by installing Thermostatic Mixing Valves and then turning the gas control knob to a higher setting.

You can also reduce your home’s hot water needs by washing clothes in cold water, installing flow restrictors on shower heads, repairing leaky faucets, and taking other conservation steps.

Reversed Connections or Melted Dip Tube: Check the hot and cold water connections and make sure your home’s hot water pipe is connected to the hot water outlet on the water heater. Usually, reversed connections are found soon after the installation of a new unit. If copper pipes were soldered while they were attached to the water heater, the dip tube may have melted. The dip tube is a long, plastic tube inside the tank attached to the cold water inlet. If the dip tube has melted, it can be replaced by removing the cold water inlet connection, removing the old dip tube and installing a new one.

Plumbing Leak: Even a small leak in the hot water side of the home’s plumbing system can make it appear that the water heater is producing little to no hot water. In this case, the burner will be on all or almost all the time, yet you will have very little hot water. Locate and repair the leak.

Sediment or Lime in Tank: With an existing water heater, if you have some hot water but not as much as you are used to, there may be a buildup of sediment or lime on the bottom of the tank. Sediment or lime

TROUBLESHOOTING

buildup can reduce the efficiency of your water heater. Heavy deposits can damage the water heater. See the Maintenance section for steps on draining and flushing the water heater.

Temperature Too High

Adjust the thermostat on the water heater to a lower setting. Install or adjust Thermostatic Mixing Valves (see the valve manufacturer's instructions).

Low Water Pressure

Check both the cold and hot water at a sink to determine if the lower pressure is only on the hot water side. If both hot and cold faucets have low pressure, call your local water utility. If the low pressure is only on the hot water side, the primary causes are:

- Melted heat traps or dip tube. Soldering copper pipes while they are connected to the water heater can melt the heat traps inside the hot and cold water connections or the dip tube (cold water side). Melted heat traps or a melted dip tube can restrict the flow of hot water. If that is the case, replace the heat traps or dip tube.
- Partially closed supply valve. Open the water heater's supply valve fully.

Drips from T&P Relief Valve Discharge Pipe

A small amount of water dripping from the Temperature and Pressure (T&P) Relief Valve usually means the home's water pressure is too high and/or you need a Thermal Expansion Tank. See Step 1 (page 10) in the Installation section of this manual for more information.

A large amount of hot water coming from the T&P discharge pipe may be due to the tank overheating. If the T&P Relief Valve is discharging large amounts of very hot water, turn OFF the gas supply valve/thermostat and call a qualified person.

▲ WARNING! Do not cap or plug the T&P Relief Valve or discharge pipe, and do not operate the water heater without a functioning T&P Relief Valve — this could cause an explosion.

Water Pressure Too High: High water pressure can cause the T&P Relief Valve to drip. Install a Pressure Reducing Valve (PRV) on the main cold water supply line.

Thermal Expansion Tank: Install a Thermal Expansion Tank. If a Thermal Expansion Tank is already installed and the T&P Relief Valve discharge pipe drips, the home's water pressure may be too high or the Thermal Expansion Tank may be defective. Refer to the instructions that came with the Thermal Expansion Tank for more information.

Debris: In rare cases, debris can stick inside the T&P Relief Valve preventing the valve from sealing fully. In that case, the T&P Relief Valve discharge pipe will drip. You may be able to clear debris from the T&P Relief Valve by manually operating the valve, allowing small quantities of water to flush out the debris. Refer to the T&P Relief Valve Maintenance section of this manual.

▲ WARNING! When manually operating the Temperature Pressure Relief Valve, make sure that no one is in front of or around the discharge outlet. The water may be extremely hot and could cause severe burns.

Also ensure that the water discharge will not cause property damage.

If the water pressure is below 80 psi (551 kPa), a Thermal Expansion Tank is installed and properly pressurized, and the valve has been cleared of any debris, and it still drips, the valve may be broken — have a qualified person replace the T&P Relief Valve.

Water Odor

Harmless bacteria normally present in tap water can multiply in water heaters and give off a "rotten egg" smell. Although eliminating the bacteria that causes "smelly water" is the only sure treatment, in some cases, the standard anode rod that came with your water heater can be replaced with a special zinc anode rod which may help reduce or eliminate the odor. Contact a qualified person.

NOTICE: To protect the tank, an anode rod must be installed in the water heater at all times or the warranty is void.

In cases where the "rotten egg" smell is very strong, you could increase the tank temperature to 140°F (60°C) in order to reduce bacterial growth in the tank.

▲ WARNING! Because higher temperatures increase the risk of scalding, if you set the thermostat(s) higher than 120°F (49°C), Thermostatic Mixing Valves are particularly important.

TROUBLESHOOTING

Gas Control Valve/Thermostat - Status Light Codes

NOTICE:

- These codes apply to the gas control valve/thermostat. The location of the gas control valve/thermostat is shown on page 2.
- Refer to the following pages for detailed troubleshooting procedures.

EXAMPLE: An “Eight-Four Flash” will show eight flashes, then four flashes, followed by a three second pause. The pattern will then repeat.

LED FLASH SEQUENCE	GAS CONTROL VALVE/ THERMOSTAT STATUS	CORRECTIVE ACTION
Short Flash once every four seconds	IDLE (no call for heat, no fault conditions)	
“Heartbeat”, alternates bright/dim	Call for Heat (no fault conditions)	
One Flash, three second pause	Low Flame Signal (control continues to operate)	<p>Turn the power switch on the gas control valve/thermostat to the “OFF” position and unplug the power cord from the power outlet.</p> <ol style="list-style-type: none"> 1. Check the incoming gas line pressure to ensure adequate supply to the water heater. If incoming gas supply pressure is adequate, proceed to Step 2. 2. Check all wiring connections and ensure all harness and wire connections are seated firmly and provide proper electrical contact. If no connection problems are found, proceed to Step 3. Firmly seat any loose connections found. If any connections are found to be damaged, consult the replacement parts list for the appropriate replacement. After any connection problems are fixed, restart the water heater by following the lighting instructions on page 18. If the problem persists, proceed to Step 3. 3. Check the condition of the base ring filter and flame arrester. If they are clogged, follow the instructions for cleaning on page 30. If parts are not clogged, proceed to Step 4. After cleaning, follow the instructions for lighting on page 18. If problem persists, proceed to Step 4. 4. Follow the instructions on page 29 to remove the burner assembly. Once the burner assembly has been removed, inspect the manifold tube and burner for any obstructions. If any clogs or obstructions are present, clear them. Inspect the pilot assembly’s electrode/flame sense rod for corrosion buildup, degradation, or damage. If there is evidence of any damage to the electrode/flame sense rod, replace the igniter/pilot assembly. Follow the directions on page 29 to re-install the burner assembly into the combustion chamber. Follow the instructions for lighting on page 18. If the problem persists, contact a qualified service representative.
Two Flash, three second pause	End Switch Failed Closed	<p>Look at the top of the water heater to see if the damper is open (Figure 21 on page 16). If the damper is open, ensure there is no obstruction that would prevent the damper from closing. If there are any obstructions, turn the power switch on the gas control valve/thermostat to the “OFF” position, then remove the obstruction. If the damper closes, turn the power switch on the gas control valve/thermostat to the “ON” position. If there are no obstructions present, turn the power switch on the gas control valve/thermostat to the “OFF” position. Observe the damper to see if the damper closes. If the damper does not close, unplug the power cord from the power outlet and proceed to Step 1. If the damper closes, turn the power switch on the gas control valve/thermostat to the “ON” position.</p> <ol style="list-style-type: none"> 1. Check all wiring connections to ensure all harness and wire connections are seated firmly and provide proper electrical contact. If no connection problems are found, replace the damper. Firmly seat any loose connections found. If any connections are found to be damaged, consult the replacement parts list on pages 32-33 for the appropriate replacement. After any connection problems are fixed, restart the water heater by following the lighting instructions on pages 18. If the problem persists, replace the damper.
Three Flash, three second pause	End Switch Failed Open or TCO (Thermal Cutoff) Limit Lockout	<p>Turn the power switch on the gas control valve/thermostat to the “OFF” position and unplug the power cord from the power outlet.</p> <ol style="list-style-type: none"> 1. Attempt to depress the TCO door switch button (see “Completed Installation” illustration on page 2). If the TCO door switch button depresses, follow the instructions for cleaning the filter and flame arrester on page 30. After cleaning is completed, follow the lighting instructions on pages 18. If the TCO door switch button does not depress, proceed to Step 2. 2. Follow the lighting instructions on pages 18. Observe the damper during initial startup. If there is a call for heat and the damper opens, allow the unit to continue to perform and monitor any change in status. If there is a call for heat and the damper does not open, proceed to Step 3. 3. Check all wiring connections and ensure all harness and wire connections are seated firmly and provide proper electrical contact. If no connection problems are found, replace the damper. Firmly seat any loose connections found. If any connections are found to be damaged, consult the replacement parts list on pages 32-33. After any connection problems are fixed, restart the water heater by following the lighting instructions on pages 18. If the problem persists, replace the damper.
Four Flash, three second pause	ECO Limit Lockout	<p>Turn the power switch on the gas control valve/thermostat to the “OFF” position, wait 10-20 seconds, then turn the power switch on the gas control valve/thermostat to the “ON” position. If the problem persists, replace the gas control valve/thermostat (see page 28).</p>
Five Flash, three second pause	Flame Out Sequence	<p>Turn the power switch on the gas control valve/thermostat to the “OFF” position. Wait 10 minutes, then follow the lighting instructions on pages 18. If the problem persists, replace the gas control valve/thermostat (see page 28).</p>

TROUBLESHOOTING

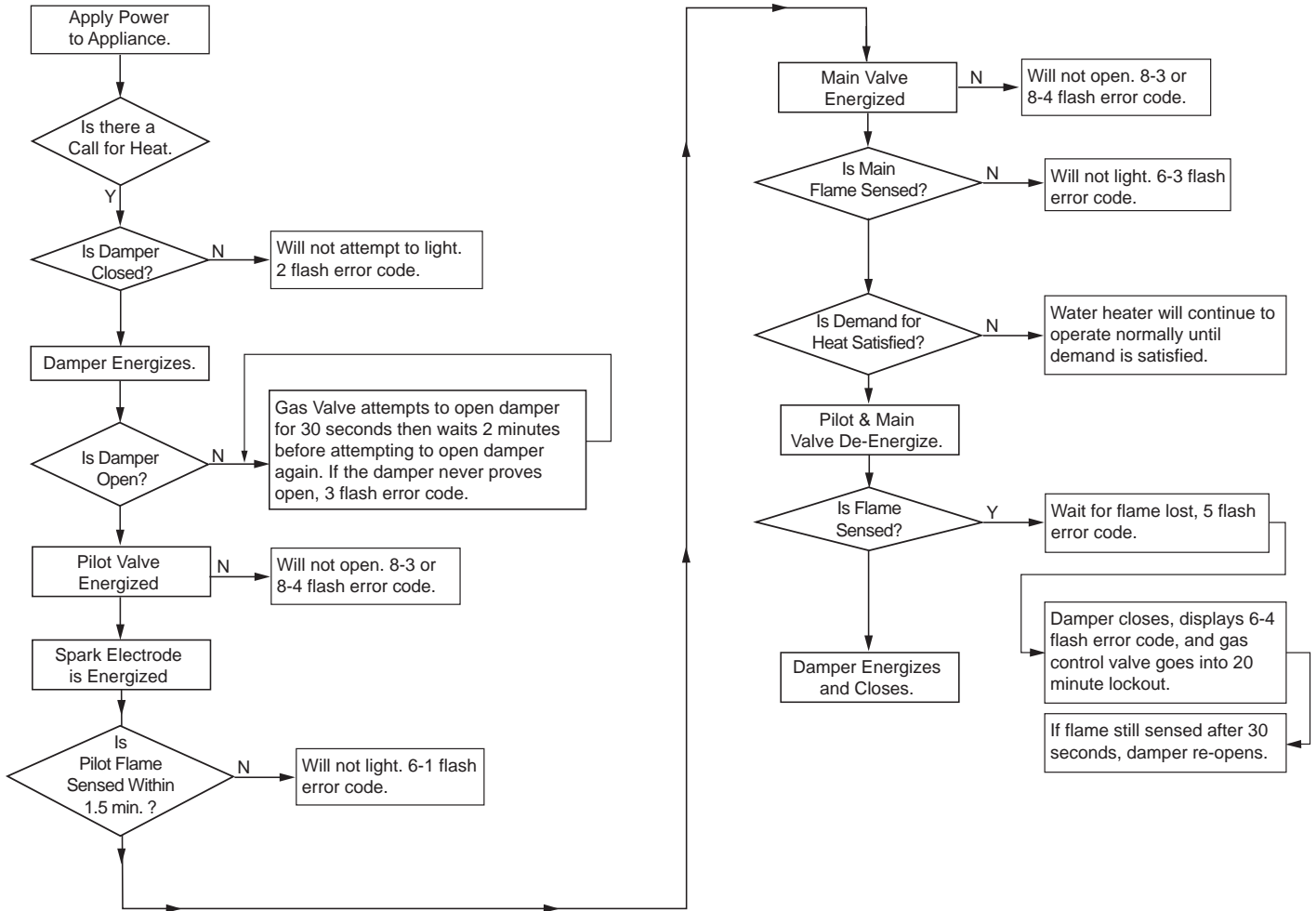
TROUBLESHOOTING

LED FLASH SEQUENCE	GAS CONTROL VALVE/ THERMOSTAT STATUS	CORRECTIVE ACTION
Six-One Flash, three second pause	Soft Lockout* - Retry Limit - Failed TFI (Trial for Ignition)	<p>Turn the power switch on the gas control valve/thermostat to the "OFF" position. Unplug the water heater from the wall outlet. Plug the power cord back in, then follow the lighting instructions on page 18. If that does not work, turn the power switch on the gas control valve/thermostat to the "OFF" position, unplug the power cord from the power outlet, then follow the steps below.</p> <ol style="list-style-type: none"> 1. Check the incoming gas line pressure to ensure adequate supply to the water heater. If incoming gas supply pressure is adequate, proceed to Step 2. 2. Check all wiring connections and ensure all harness and wire connections are seated firmly and provide proper electrical contact. If no connection problems are found, proceed to Step 3. Firmly seat any loose connections found. If any connections are found to be damaged, consult the replacement parts list for the appropriate replacement. After any connection problems are fixed, restart the water heater by following the lighting instructions on page 18. If the problem persists, proceed to Step 3. 3. Check the condition of the base ring filter and flame arrestor. If they are clogged, follow the instructions for cleaning on page 30. If parts are not clogged, proceed to Step 4. After cleaning, follow the instructions for lighting on page 18. If problem persists, proceed to Step 4. 4. Follow the instructions on page 29 to remove the burner assembly. Once the burner assembly has been removed, inspect the manifold tube and burner for any obstructions. If any clogs or obstructions are present, clear them. Inspect the pilot assembly's electrode/flame sense rod for corrosion buildup, degradation, or damage. If there is evidence of any damage to the electrode/flame sense rod, replace the igniter/pilot assembly. Follow the directions on page 29 to re-install the burner assembly into the combustion chamber. Follow the instructions for lighting on page 18. If the problem persists, contact a qualified service representative.
Six-Two Flash, three second pause	Soft Lockout* - Recycle Limit - Flame Lost - END Switch Fails	<p>Turn the power switch on the gas control valve/thermostat to the "OFF" position and unplug the power cord from the power outlet.</p> <ol style="list-style-type: none"> 1. Check all wiring connections to ensure all harness and wire connections are seated firmly and provide proper electrical contact. If no connection problems are found, replace the damper. Firmly seat any loose connections found. If any connections are found to be damaged, consult the replacement parts list on pages 32-33 for the appropriate replacement. After any connection problems are fixed, restart the water heater by following the lighting instructions on page 18. If the problem persists, replace the damper.
Six-Three Flash, three second pause	Soft Lockout* - Recycle Limit - Flame Lost	<p>Turn the power switch on the gas control valve/thermostat to the "OFF" position and unplug the power cord from the power outlet.</p> <ol style="list-style-type: none"> 1. Check the incoming gas line pressure to ensure adequate supply to the water heater. If incoming gas supply pressure is adequate, proceed to Step 2. 2. Check all wiring connections and ensure all harness and wire connections are seated firmly and provide proper electrical contact. If no connection problems are found, proceed to Step 3. Firmly seat any loose connections found. If any connections are found to be damaged, consult the replacement parts list for the appropriate replacement. After any connection problems are fixed, restart the water heater by following the lighting instructions on page 18. If the problem persists, proceed to Step 3. 3. Check the condition of the base ring filter and flame arrestor. If they are clogged, follow the instructions for cleaning on page 30. If parts are not clogged, proceed to Step 4. After cleaning, follow the instructions for lighting on page 18. If problem persists, proceed to Step 4. 4. Follow the instructions on page 29 to remove the burner assembly. Once the burner assembly has been removed, inspect the manifold tube and burner for any obstructions. If any clogs or obstructions are present, clear them. Inspect the pilot assembly's electrode/flame sense rod for corrosion buildup, degradation, or damage. If there is evidence of any damage to the electrode/flame sense rod, replace the igniter/pilot assembly. Follow the directions on page 29 to re-install the burner assembly into the combustion chamber. Follow the instructions for lighting on page 18. If the problem persists, contact a qualified service representative.
Six-Four Flash, three second pause	Soft Lockout* - Flame Out of Sequence Sensed	<p>Turn the power switch on the gas control valve/thermostat to the "OFF" position and unplug the power cord from the power outlet. Wait 10 minutes, then follow the lighting instructions on page 18. If the problem persists, replace the gas control valve/thermostat (see page 28).</p>
Seven Flash, three second pause	Flammable Vapor Sensor (FVS) Lockout	<ol style="list-style-type: none"> 1. Do not touch any electrical switch, do not use any phone in the building, and do not try to light any appliance. 2. Smell around the water heater to ensure there are no gas leaks at the gas control valve/thermostat or in the supply gas line or for any other type of flammable vapors in the area. 3. Carefully inspect the area surrounding the water heater for any substances such as gasoline, paint, paint thinners, varnish, or cleaners that could emit flammable vapors. Remove anything that can potentially emit flammable vapors from the area and store it properly in a different location. 4. Contact a qualified service representative for inspection and/or replacement of the FV sensor.
Eight-One Flash, three second pause	Flammable Vapor Sensor (FVS) Fault Detected	<p>Turn the power switch on the gas control valve/thermostat to the "OFF" position, wait 10-20 seconds, then turn the power switch on the gas control valve/thermostat to the "ON" position. If the problem persists, replace the gas control valve/thermostat.</p>
Eight-Two Flash, three second pause	Temperature Sensor Fault Detected	<p>Turn the power switch on the gas control valve/thermostat to the "OFF" position, wait 10-20 seconds, then turn the power switch on the gas control valve/thermostat to the "ON" position. If the problem persists, replace the gas control valve/thermostat.</p>
Eight-Three Flash, three second pause	Electronic Fault Detected	<p>Turn the power switch on the gas control valve/thermostat to the "OFF" position, wait 10-20 seconds, then turn the power switch on the gas control valve/thermostat to the "ON" position. If the problem persists, replace the gas control valve/thermostat.</p>
Eight-Four Flash, three second pause	Gas Control Valve/Thermostat Fault Detected	<p>Turn the power switch on the gas control valve/thermostat to the "OFF" position, wait 10-20 seconds, then turn the power switch on the gas control valve/thermostat to the "ON" position. If the problem persists, replace the gas control valve/thermostat.</p>

*Soft Lockout - 20 minute wait before returning to normal operating mode.

TROUBLESHOOTING

Sequence of Operations Chart



TROUBLESHOOTING

MAINTENANCE

Routine Maintenance

Routine maintenance will help your water heater last longer and work better. If you can not perform these routine maintenance tasks yourself, contact a qualified person.

Draining and Flushing the Water Heater

Tap water contains minerals that can form sediment in the bottom of the tank. The amount of sediment formed depends on the hardness of your tap water, the temperature settings, and other variables. We recommend draining and flushing the water heater after the first six months of operation to determine the amount of sediment buildup. If there is little sediment, drain and flush the tank annually. If there is a lot of sediment, drain and flush the tank more often. Draining sediment extends the life of the water heater.

To Drain and Flush the Tank:

- 1 Turn the power switch on the gas control valve/thermostat to the OFF position.

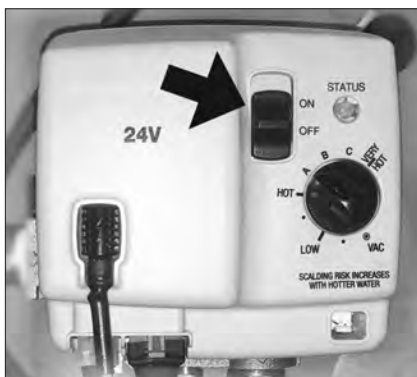


Figure 29 - Move switch to OFF position.

- 2 Turn the manual gas valve for the water heater's supply line OFF.

- 3 Open a hot water faucet and let the hot water run until it is cool (this may take 10 minutes or longer).



Figure 30 - Let the hot water run until it is cool.

⚠ WARNING! Be sure the water runs cool before draining the tank to reduce the risk of scalding.

- 4 Connect a garden hose to the drain valve and place the other end of the hose in a drain, outside, or in buckets. Note that sediment in the bottom of the tank may clog the valve and prevent it from draining. If you can not get the tank to drain, contact a qualified person.

- 5 Turn the cold water supply valve OFF.
- 6 Open the drain valve on the water heater.



Figure 31 - Draining the water heater.

- 7 Also open a hot water faucet to help the water in the tank drain faster.

- 8 Remove and inspect the anode rod and replace if depleted. The anode rod requires a 1-1/16" socket.



Figure 32 - Anode rods from new (top) to partially depleted (middle) to fully depleted stage (bottom).

Anode Rod: The anode rod is a sacrificial metal rod that helps avoid corrosion and premature failure (leaks) in the tank. The anode rod is a consumable item. Inspect the anode rod after the first six months of operation when you drain and flush the tank. Replace the anode rod if it is substantially worn out or depleted. Thereafter, inspect the anode rod annually or more frequently if needed. If you use a water softener, your anode rod will deplete faster than normal. Inspect the anode rod more frequently, replacing the anode rod if it is depleted. Obtain a new anode rod from your local plumbing supplier or have a qualified person replace it. (Anode rods are a consumable item and are not covered under warranty).

- 9 If a large amount of sediment was present when the tank was drained, flush the tank by opening the cold water supply valve and letting the water run until no more sediment drains from the tank. Close the drain valve when you are done.

MAINTENANCE

10

Refill the tank by opening the cold water supply valve. Make sure a hot water faucet is open and the drain valve is closed. Allow a hot water faucet to run full for at least three minutes to make sure the tank has all the air removed and is completely full of water. Once you are certain the tank is completely full of water, close the hot water faucet.

11

Put the water heater back into operation by following the lighting instructions on page 18. Adjust the gas control knob to the desired temperature. It may take an hour or more for the tank of cold water to heat up.

Visual Inspection

On an annual basis, visually inspect the venting and air supply system, piping systems, main burner, pilot burner, and the air filter.

Check the water heater for the following:

- Obstructions, damage, or deterioration in the venting system. Make sure the ventilation and combustion air supplies are not obstructed. Check the air filter for dust or other debris and clean if needed.
- Buildup of soot and carbon on the main burner and pilot burner. The burner may be cleaned with soap and hot water.
- Inspect the burner flames through the viewport and compare them to Figure 33. The flames should be very small with a blue haze and a small amount of yellow or orange at the edges. After several minutes, the burner screen may glow red. If large flames are observed at any time, shut off the unit and call a qualified person.

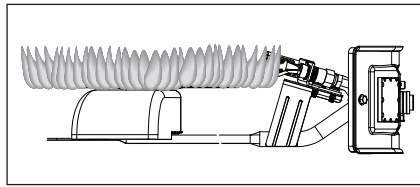


Figure 33 - Burner Flames

- Leaking or damaged water and gas piping.
- Remove any flammable, corrosive or combustible materials near the water heater.

If you lack the necessary skills required to properly perform this visual inspection, or if the burner needs to be cleaned, get help from a qualified person.

T&P Relief Valve Maintenance



Figure 34 - T&P Relief Valve

Read and follow the operating and annual maintenance instructions provided by the manufacturer of the T&P Relief Valve (yellow label attached to T&P Relief Valve). Minerals in the water can form deposits that cause the valve to stick or create blocked passages, making the T&P Relief Valve inoperative. Follow these guidelines:

- At least annually, operate the T&P Relief Valve manually to ensure the waterways are clear and the valve mechanism moves freely (above). Before operating the valve manually, check that it will discharge in a place for secure disposal.

⚠ WARNING! Hot water will be released. Before operating the T&P Relief Valve manually, check that it will discharge in a safe place. If water does not flow freely from the end of the discharge pipe, turn the gas control knob to the OFF position and call a qualified person to determine the cause.

- At least every five years, have a qualified person inspect the T&P Relief Valve and discharge pipe. Damage caused by corrosive water conditions, mineral deposits, or other problems can only be determined when a qualified person removes and inspects the valve and its components.

A dripping T&P Relief Valve is usually caused by the home's water pressure being too high or the lack of a Thermal Expansion Tank. If your T&P Relief Valve drips, see page 22.

A T&P Relief Valve that has been allowed to drip for an appreciable period of time should be inspected for mineral buildup. See T&P Relief Valve tag for more information.

Inspect and Clean the Air Filter



Figure 35 - Clean air filter periodically.

An air filter is installed around the base of your water heater. At least annually, inspect the air filter and check for a buildup of dust or debris. If it needs to be cleaned, turn off the water heater and allow it to cool for ten minutes before cleaning. Vacuum the filter to remove any dust or debris. If an oily residue is present on the filter, wash it

MAINTENANCE

in soap, and water, then dry the filter.

NOTICE: If you are unable to inspect or clean the filter, follow the “Cleaning the Combustion and Flame Arrestor” instructions on page 30.

Removing and Replacing the Gas Control Valve/Thermostat

IMPORTANT: The gas control valve/thermostat is a standard valve.

Removing the Gas Control Valve/Thermostat:

- 1 Turn the power switch on the gas control valve/thermostat to the OFF position.

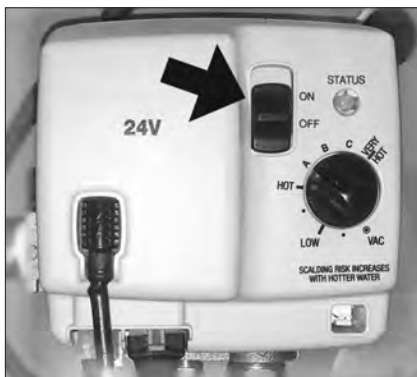


Figure 36 - Move switch to OFF position.

- 2 Turn the manual gas valve for the water heater’s supply line OFF.



Figure 37 - Manual Gas Valve in OFF position.

- 3 Drain the water heater. Refer to “Draining and Flushing the Water Heater” on page 26, and follow the procedure.

- 4 Disconnect the following items from the gas control valve/thermostat:

- A Igniter Wire
- B Wiring Harness
- C FV Sensor Wires
- D Pilot Tube (7/16” wrench)
- E Manifold Tube (3/4” wrench)

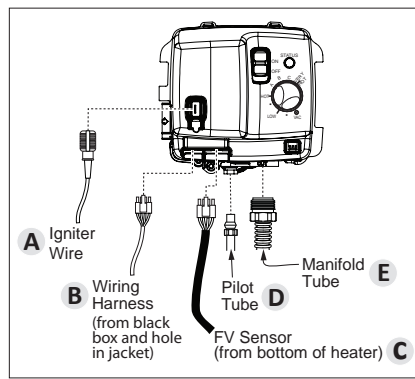


Figure 38 - Gas Control Valve Connections

- 5 Disconnect the ground joint union in the gas piping. Disconnect the remaining pipe from the gas control valve/thermostat.

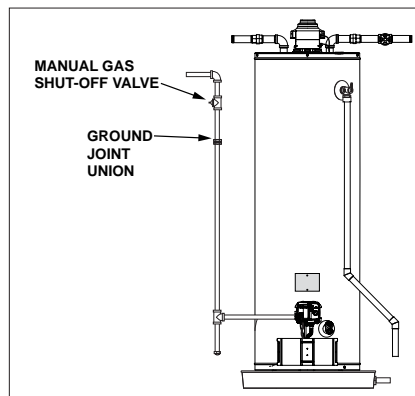


Figure 39 - Ground Joint Union Connection

- 6 To remove the gas control valve/thermostat, thread a 4” (102 mm) section of gas pipe

into the inlet and use it to turn the gas control valve/thermostat (counterclockwise). Do not use a pipe wrench or equivalent to grip body. Damage may result, causing leaks. Do not insert any sharp objects into the inlet or outlet connections. Damage to the gas control valve/thermostat may result.

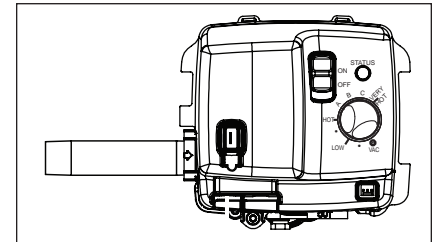


Figure 40 - Gas control valve/thermostat with 4” (102 mm) section of threaded gas pipe.

Replacing the Gas Control Valve/Thermostat:

- Be sure to use approved thread sealant tape or pipe joint compound on the gas piping connections and fitting on the back of the gas control valve/thermostat that screws into tank.
- Be sure to remove the pilot ferule nut from the new gas control valve/thermostat.

Replace the gas control valve/thermostat by reassembling in reverse order. When replacing the gas control valve/thermostat, thread a 4” (102 mm) section of gas pipe into the inlet and use it to turn the gas control valve/thermostat (clockwise). **DO NOT OVER TIGHTEN.** Damage may result.

- Be sure the tank is completely filled with water before lighting and activating the water heater. Follow the “Lighting Instructions” on page 18.
- Turn the gas supply on and check for leaks. Test the water heater with the main burner on by brushing on an approved non-corrosive leak detection solution. Bubbles

MAINTENANCE

forming indicate a leak. Correct any leak found. If additional information is required, contact our Technical Assistance Hotline which is listed on the water heater's warranty sheet.

Removing and Replacing the Manifold/Burner Assembly

Removing the Manifold/Burner Assembly

- 1 Move the ON/OFF switch on the gas control valve/thermostat to the "OFF" position to turn off the water heater (see Figure 36).
- 2 Turn off the gas to the water heater at the manual gas shut-off valve (see Figure 37).
- 3 Remove the outer door.
- 4 Remove the manifold screws (1/4" nut driver) securing the manifold door to the combustion chamber.

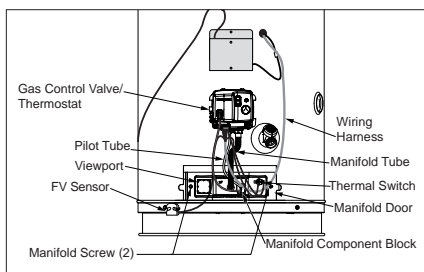


Figure 41 - Front view of water heater with outer door removed.

- 5 Go to the gas control valve/thermostat and disconnect the pilot tube (7/16" wrench), igniter wire, and manifold tube (3/4" wrench). Disconnect the FV sensor and wiring harness.
- 6 Grasp the manifold tube and push down slightly to free the manifold and pilot tube.

- 7 Carefully remove the burner door assembly from the burner compartment. To reinstall it, see "Replacing the Manifold/Burner Assembly" section.

NOTICE: Be sure not to damage internal parts.

Replacing the Manifold/Burner Assembly

Explosion Risk:



⚠ WARNING! Failure to follow these instructions can result in serious injury or death from explosion, fire or carbon monoxide poisoning.

- Tighten the manifold door screws securely.
- Remove any fiberglass between gasket and combustion chamber.
- Replace viewport if glass is missing or damaged.
- Replace the manifold component block if it is missing or removed.
- Replace door gasket if it is damaged.

- 1 Check the door gasket for damage or embedded debris prior to installation.
- 2 Inspect the viewport for damage and replace as required.
- 3 Insert the burner assembly into the burner compartment, making sure that the burner assembly sits firmly against the burner bracket and spring (if equipped) inside the combustion chamber.

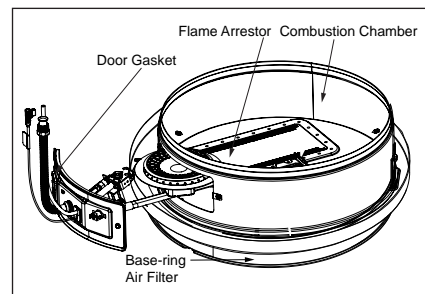


Figure 42 - Installing the burner assembly.

- 4 Inspect the door gasket and make sure there is no fiberglass insulation between the gasket and the combustion chamber.
 - 5 Replace the screws which secure the burner assembly to the combustion chamber and tighten securely. There should be no space between the gasket part of the burner door and combustion chamber.
- ⚠ WARNING! Do not operate the water heater if the door gasket does not create a seal between the burner door and the combustion chamber.**
- 6 Reconnect the manifold tubing (3/4" wrench), pilot tubing (7/16" wrench) to the gas control valve/thermostat. Also reconnect the FV sensor wires, wiring harness, and igniter wire (see Figure 38 for the correct position of each connection). Do not cross-thread or apply any thread sealant to the fittings.

- 7 Follow the "Lighting Instructions" found on page 18.
- 8 Check for leaks **with the main burner on** by brushing on an approved noncorrosive leak detection solution. Bubbles forming indicate a leak. Correct any leak found. **IMPORTANT:** All leaks must be fixed immediately.

MAINTENANCE

- 9 Replace the outer door.

Cleaning the Combustion Chamber and Flame-arrestor

See also “Inspect and Clean the Air Filter” on page 27.

- 1 Follow the steps in “Removing the Manifold/Burner Assembly” on page 29.
- 2 Use a vacuum cleaner/shop vac to remove all loose debris in the combustion chamber.

Use compressed air to clear any dust or debris that may have accumulated in the flame-arrestor.

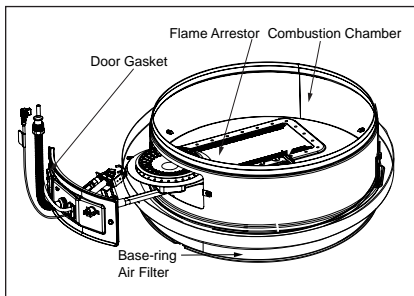
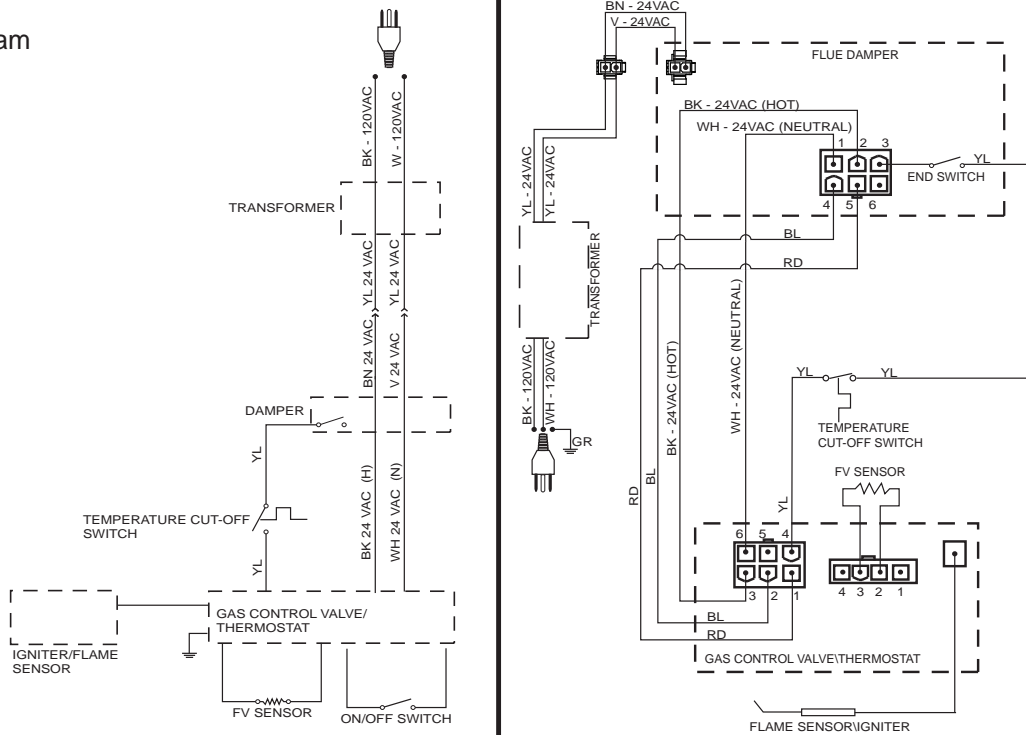


Figure 43 - Combustion Chamber

- 3 Follow the steps in “Replacing the Manifold/Burner Assembly” on page 29.

WIRING DIAGRAM

Figure 44:
Wiring Diagram



You must provide all wiring of the proper size outside of the water heater. You must obey local codes and electric utility requirements when you install this wiring. This appliance must be electrically grounded in accordance with local codes or, in the absence of local codes, with the National Electrical Code ANSI/NFPA No 70 (current edition) and/or THE CSA C22.1 ELECTRICAL CODE. (CURRENT EDITION)

Note: If any of the original wire as supplied with the appliance must be replaced, it must be replaced with 105°C wire or its equivalent.

Caution: Label all wires prior to disconnection when servicing controls. Wiring errors can cause improper and dangerous operation.

REPAIR PARTS

When ordering repair parts always give the following information.

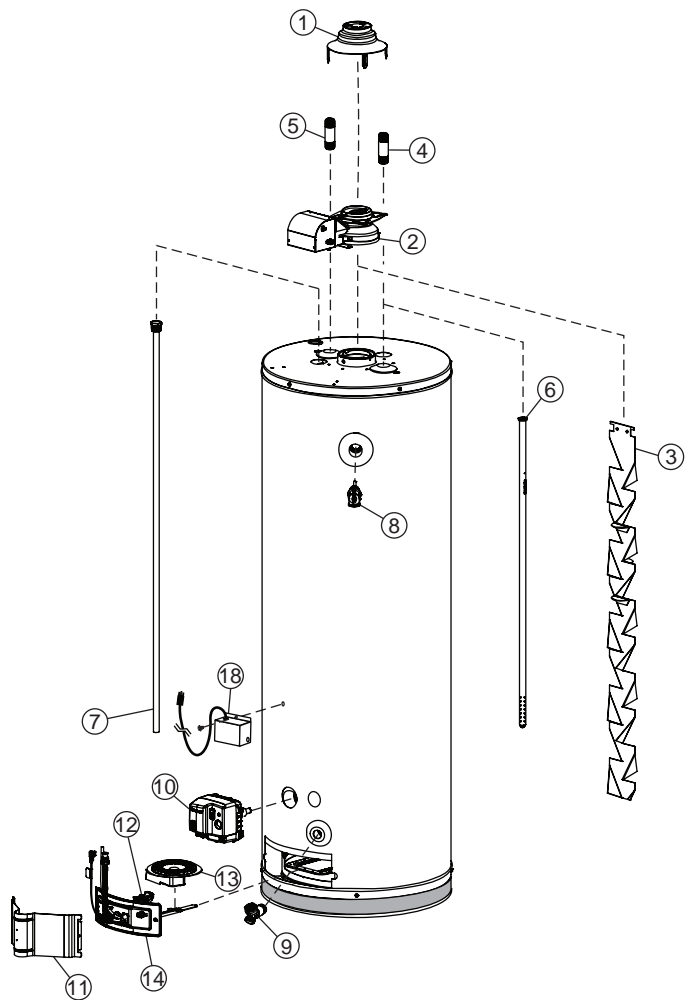
1. Model, serial, and product number
2. Type of gas
3. Item number
4. Parts description

Repair Parts List

Item No.	Parts Description
1	DRAFT HOOD
2	FLUE DAMPER
3	FLUE BAFFLE
4	HEAT TRAP (COLD) - SOME MODELS
5	HEAT TRAP (HOT) - SOME MODELS
6	COLD WATER DIP TUBE
7	ANODE ROD ▲
8	TEMPERATURE & PRESSURE RELIEF VALVE (LOCATED ON SIDE) ■
9	DRAIN VALVE
10	GAS CONTROL VALVE/THERMOSTAT ★
11	OUTER DOOR ★
12A*	STP (SPARK TO PILOT) PILOT ASSEMBLY KIT ★
12B*	STP (SPARK TO PILOT) PILOT ASSEMBLY KIT (L.P.) ★
13A*	BURNER (NATURAL GAS/LOW NOX) ★
13B*	BURNER (L.P.) ★
14A*	BURNER ASSEMBLY ★
14B*	BURNER ASSEMBLY (L.P. BURNER) ★
15*	MANIFOLD COMPONENT BLOCK
16*	MANIFOLD DOOR GASKET ★
17*	VIEWPORT ASSEMBLY
18	TRANSFORMER ASSEMBLY KIT
19**	FV SENSOR KIT
20**	FV SENSOR KIT WITH BRACKET
21**	FV WIRE HARNESS
22**	MAIN WIRE HARNESS

*Pictured on next page.

**Not shown.



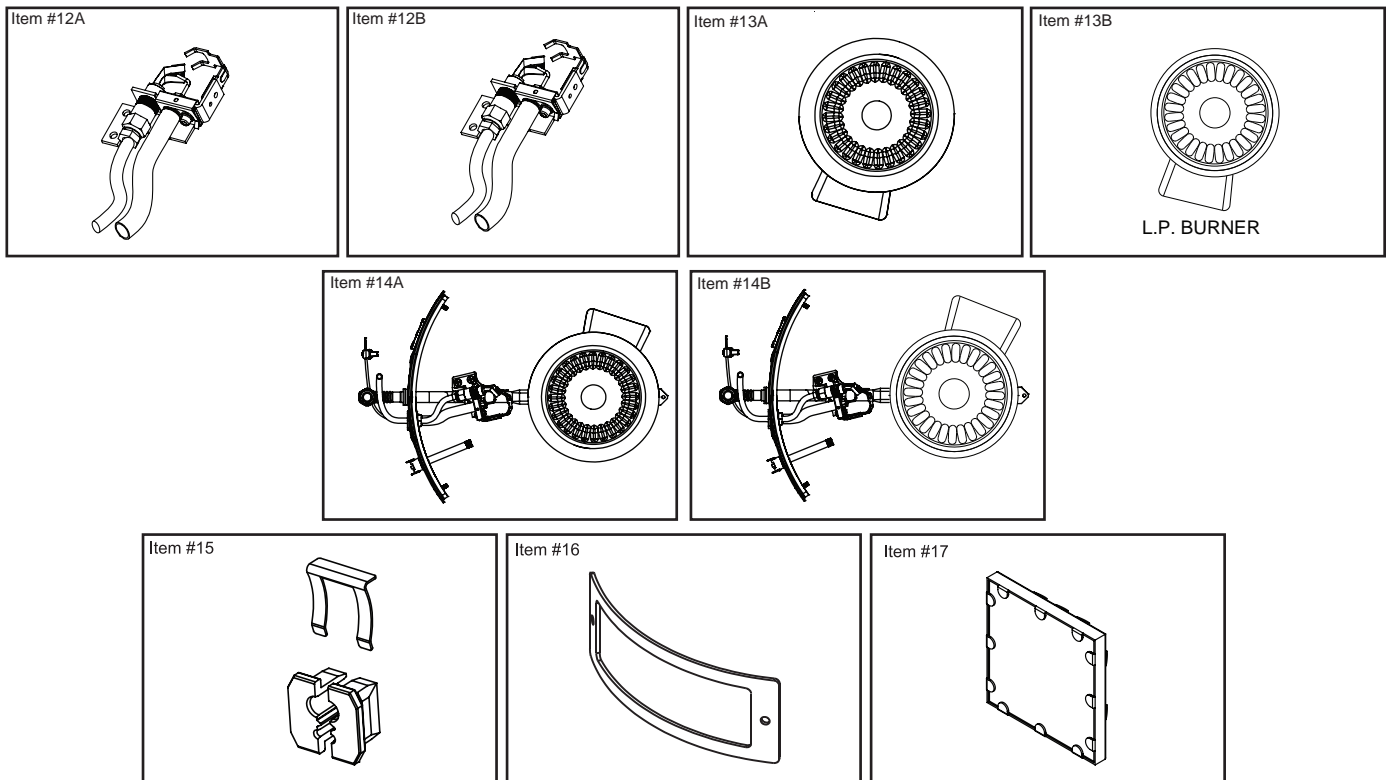
Legend

- ▲ Special anode rod (see Anode Rod/Water Odor section)
- Temperature and Pressure Relief Valve is required, but may not be factory installed
- ★ Unique: FVIR System parts

REPAIR PARTS

Listed Parts Kits and Illustrations

- Item 12A: Pilot/Igniter - Flame Sensor assembly kit, which contains the pilot, igniter-flame sensor, and retainer clip (Natural Gas)
- Item 12B: Pilot/Igniter - Flame Sensor assembly kit, which contains the pilot, igniter-flame sensor, and retainer clip (L.P. Gas)
- Item 13A: Burner (Natural Gas/Low Nox)
- Item 13B: Burner (L.P. Gas)
- Item 14A: Burner assembly which contains the manifold tube, gasket, door, pilot/igniter-flame sensor assembly, manifold component block with retainer clip, thermal switch, and pilot tube (Natural Gas/Low Nox)
- Item 14B: Burner assembly which contains the manifold tube, gasket, door, pilot/igniter-flame sensor assembly, manifold component block with retainer clip, thermal switch, and pilot tube (L.P. Gas)
- Item 15: Contains manifold component block and retainer clip
- Item 16: Contains manifold door gasket
- Item 17: Contains viewport



NOTES

NOTES

NOTES
