

TWO WIRE CIRCUIT FOR SINGLE (1) ELEMENT HEATERS EQUIPPED WITH SINGLE (1) HIGH-LIMIT CONTROL. SPACESAVER™ MODELS ONLY.

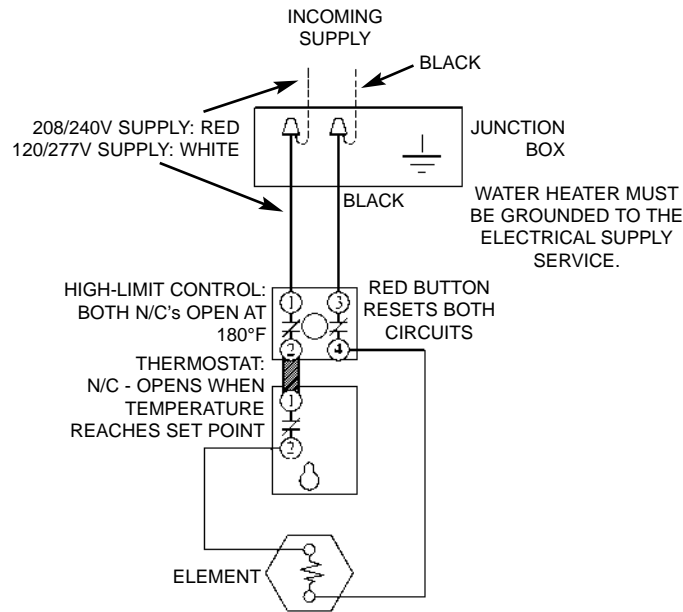


Figure 1 Single Element Wiring

TWO WIRE CIRCUIT FOR DUAL (2) ELEMENT HEATERS EQUIPPED WITH A SINGLE (1) HIGH-LIMIT CONTROL. NON-SIMULTANEOUS OPERATION.

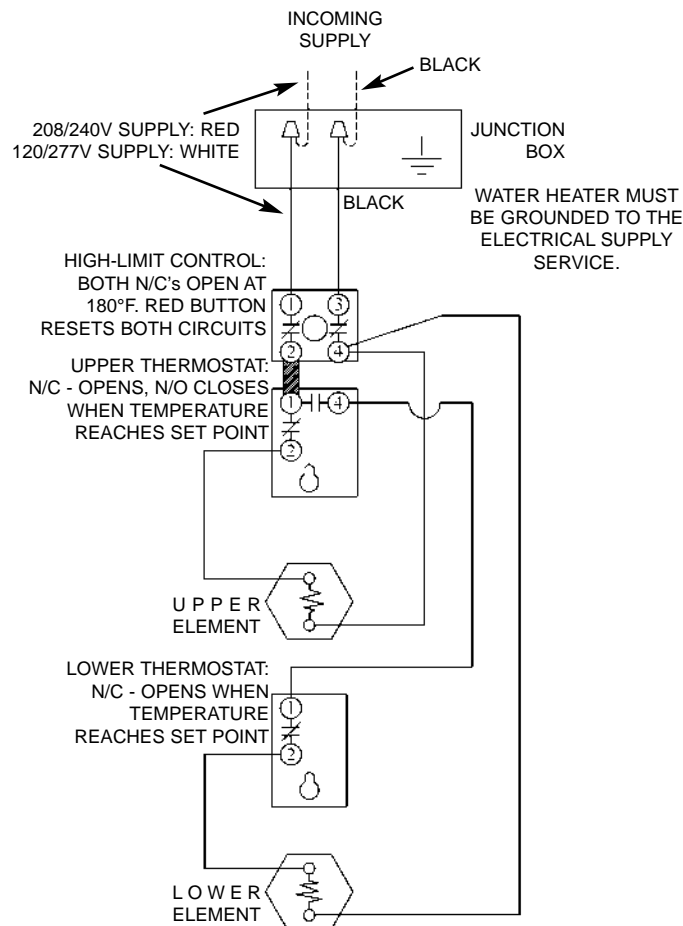


Figure 2 Double Element Wiring



WARNING

Do not supply power to this water heater until you have verified that the unit is completely filled with water.

To ensure that the water heater is full of water and that all the air has been purged from the system, run all the hot water faucets in the house continuously for three (3) minutes.

Filling the Tank

NOTE: When filling, avoid water spillage. Do not allow the insulation of the heater to get wet as water can cause electrical malfunction.

1. Close the drain valve, and then open a hot water faucet.
2. Open the cold water supply valve.
3. When water runs out of the hot faucet, the tank is full.
4. Check the system for leaks.

Draining the Tank (completely)

If the power is to be turned off during the cold season and the tank is exposed to freezing temperatures, the water heater must be drained. Water will expand when it freezes and can damage the heater.

Completely drain as follows:

1. Make sure the electrical supply to the water heater is "OFF".
2. Turn off cold water supply.
3. Connect a garden hose to the end of the drain valve and direct this to a point lower than the heater.
4. Open a hot water faucet.
5. Open the drain valve on the heater - drain, keeping the drain valve open during the shutdown period.
6. To refill the heater, see "Filling the Tank" section.

Installation Check List

Check Here

- | | |
|--|--------------------------|
| 1. Are the fuse and wire sizes correct? | <input type="checkbox"/> |
| 2. Is the certified relief valve installed? | <input type="checkbox"/> |
| 3. Are you sure that in case of water leakage, the building, furniture, carpeting or other property will not be damaged? | <input type="checkbox"/> |
| 4. Has the relief valve been piped to a suitable drain point? | <input type="checkbox"/> |
| 5. Is the relief valve discharge unobstructed? | <input type="checkbox"/> |
| 6. Is the heater completely filled with water? | <input type="checkbox"/> |
| 7. Is the cold supply valve open? | <input type="checkbox"/> |

If the answers to the above are "Yes", turn on the power and enjoy all the hot water you need, all the time.