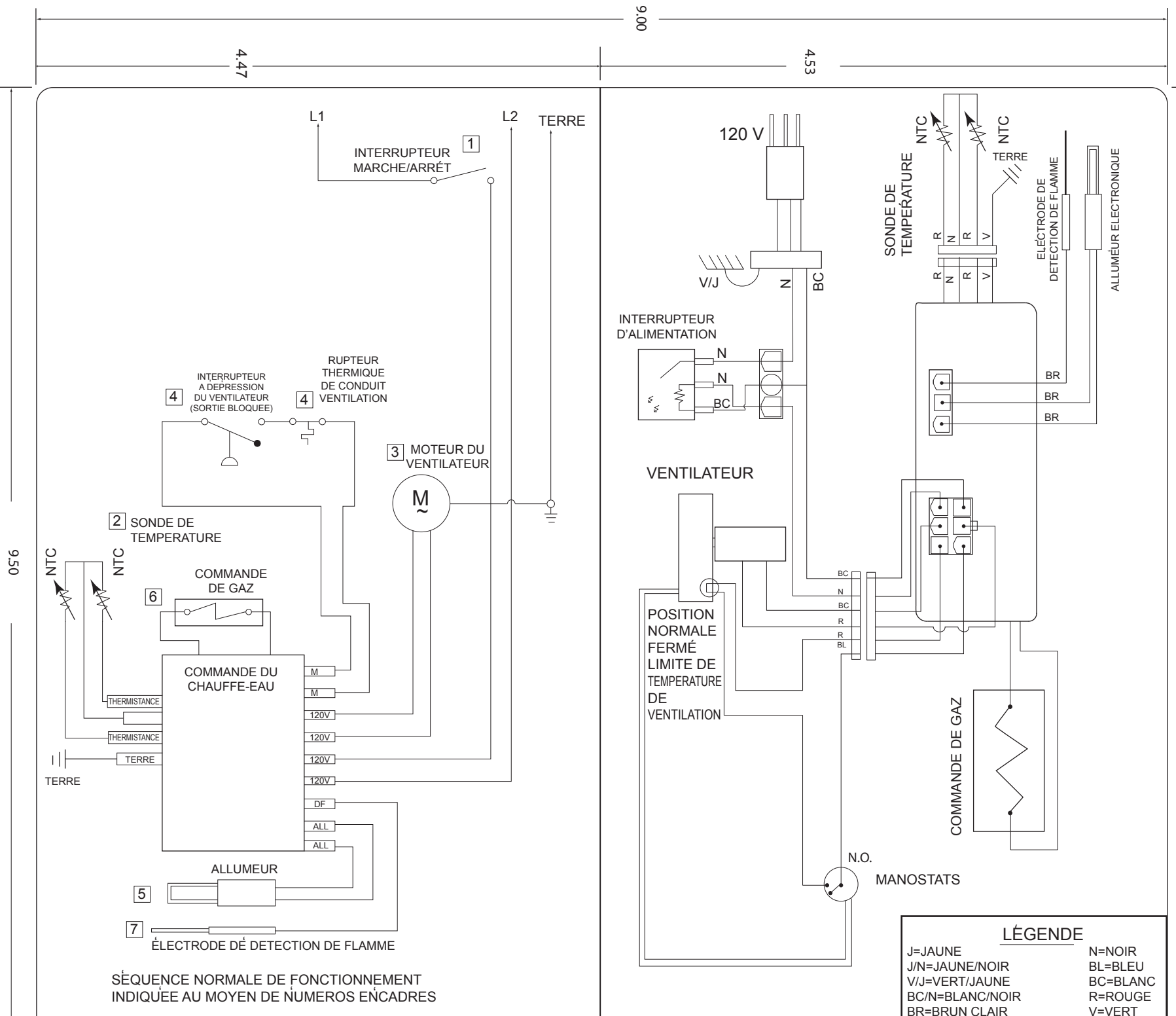


| REV. | DESCRIPTION | PROCESS NO. | DATE       | REV BY     |
|------|-------------|-------------|------------|------------|
| A    | RELEASE     | 3000006287  | 01/19/2017 | M. PELFREY |



NOTES:

- BLACK PRINT ON 3 MIL THICK WHITE POLYSTYRENE WITH A 1 MIL CLEAR OVERLAMINATE. ADHESIVE TO BE ACRYLIC PERMANENT MP-75.
- ONE PIECE LABEL WITH PRINTING IN SPECIFIED SECTIONS AS SHOWN.
- MUST BE AGA APPROVED, BACKING MUST HAVE EXTENDED EDGE RELEASE, OR LABEL TO BE IN ROLL FORM.
- PART NUMBER AND REVISION NUMBER TO APPEAR IN THE LOWER RIGHT HAND CORNER OF LABEL AS SHOWN. REVISION LEVEL DOES NOT APPEAR ON LABEL FOR REVISION 0.
- ELECTRICAL GRAPHIC SYMBOLS ON LADDER DIAGRAM PORTION OF LABEL SHALL COMPLY WITH ANSI Y32.2-1875 AND ANSI 315A-1986.
- ALL TEXT SHALL BE 12 POINT ARIAL BOLD UPPER CASE, WITH EXCEPTION OF WORD "AVERTISSEMENT", WHICH SHALL BE 22 POINT ARIAL BOLD UPPER CASE.
- 1/8" RADIUS OPTIONAL ON ALL FOUR CORNERS.

**AVERTISSEMENT**

MATTRE L'APPAREIL HORS TENSION AVANT D'EN FAIRE L'ENTRETIEN. REMETTRE EN PLACE LES PORTES ET LES PANNEAUX AVANT DE RALLUMER LE CHAUFFE-EAU.

SI UN FIL DE'ORIGINE DU CHAUFFE-EAU DOIT ÊTRE REMPLACÉ, UTILSER UN FIL DE RÉSISTANCE THERMIQUE NOMINALE D' AU MOINS 105°C ET DE CALIBRE 18 AWG OU PLUS.

**LÉGENDE**

|                 |          |
|-----------------|----------|
| J=JAUNE         | N=NOIR   |
| J/N=JAUNE/NOIR  | BL=BLEU  |
| V/J=VERT/JAUNE  | BC=BLANC |
| BC/N=BLANC/NOIR | R=ROUGE  |
| BR=BRUN CLAIR   | V=VERT   |

|  |                           |   |   |                  |
|--|---------------------------|---|---|------------------|
| Any Material, Component, Or Vendor Change Must Have Prior Approval By The Applicable Product Engineering Department.   |                           | Critical Characteristic For Inspection Purposes: <input type="checkbox"/> | Tolerances Unless Otherwise Noted:<br>Angles: ±1°<br>Fractions: ±1/32<br>Decimals:<br>(2 Pl) ±.03<br>(3 Pl) ±.005 |                  |
| Confidential: This drawing and its information are the exclusive and confidential property of A.O. Smith Corp. and are not to be disclosed, duplicated, distributed, or otherwise used without the written consent of A.O. Smith Corp. All rights reserved.© |                           | Scale: 1:1  |   |                  |
| Drawn:<br><b>M. PELFREY</b>  | Material:<br><b>NOTED</b> | Part Desc:<br><b>LABEL,ELEC DGRM,VERTEX 76,SER 120,FR</b>                 |   |                  |
| Date:<br><b>01/19/2017</b>   | Finish:<br><b>NOTED</b>   | Part No:<br><b>100281722</b>  |   | Sht:1<br>Of: 1   |
| DWG / DIR No:<br><b>2000539841</b>   | Ver:<br><b>0</b>          | DWG / DIR Desc:<br><b>LABEL,ELEC DGRM,VERTEX 76,SER 120,FR</b>            |   | Rev:<br><b>A</b> |

6 4 7