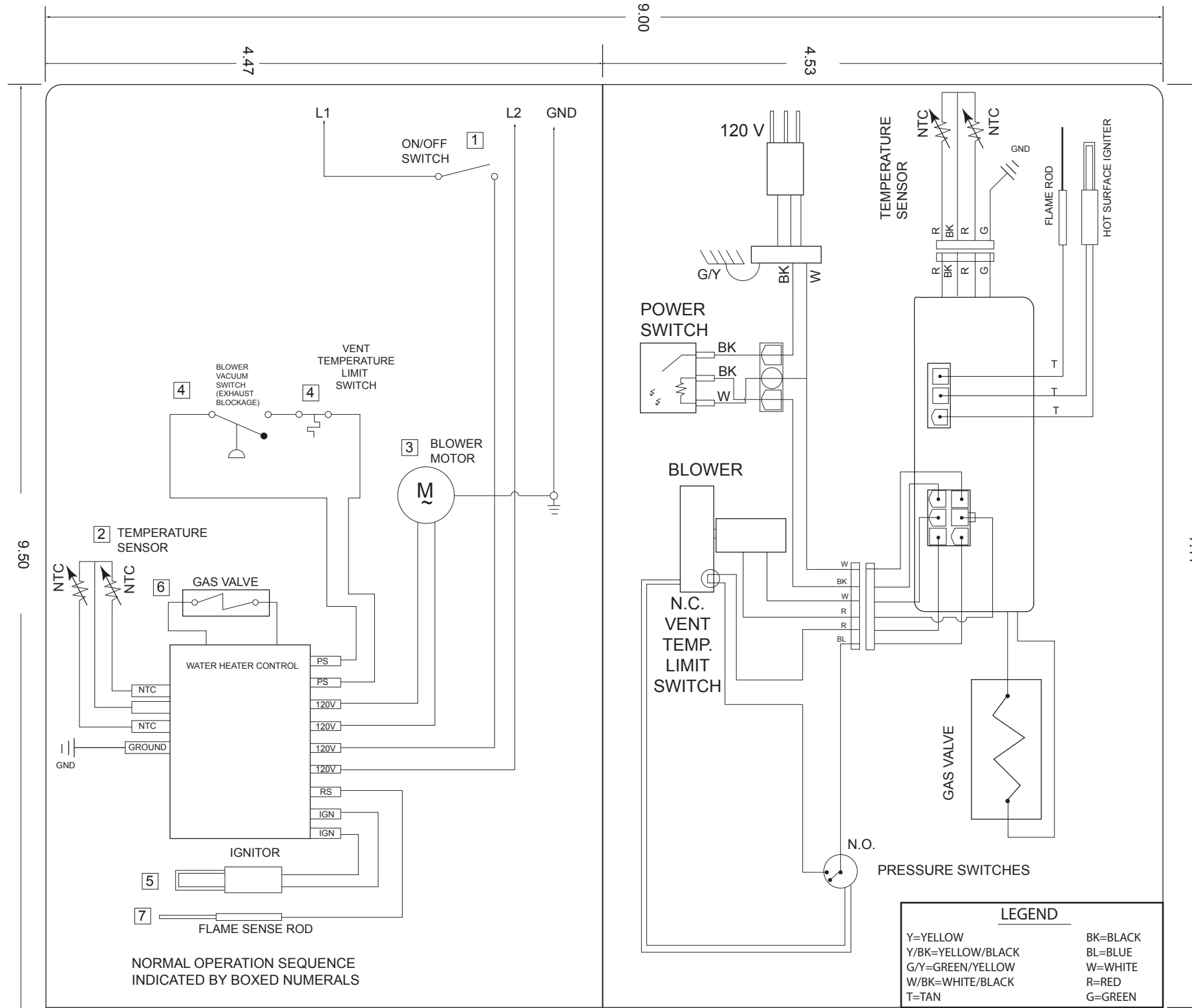


REVISIONS

REV.	DESCRIPTION	PROCESS NO.	DATE	REV BY
A	RELEASE	3000006287	01/19/2017	M. PELFREY



NOTES:

- BLACK PRINT ON 3 MIL THICK WHITE POLYSTYRENE WITH A 1 MIL CLEAR OVERLAMINATE. ADHESIVE TO BE ACRYLIC PERMANENT MP-75.
- ONE PIECE LABEL WITH PRINTING IN SPECIFIED SECTIONS AS SHOWN.
- MUST BE AGA APPROVED. BACKING MUST HAVE EXTENDED EDGE RELEASE, OR LABEL TO BE IN ROLL FORM.
- PART NUMBER AND REVISION NUMBER TO APPEAR IN THE LOWER RIGHT HAND CORNER OF LABEL AS SHOWN. REVISION LEVEL DOES NOT APPEAR ON LABEL FOR REVISION 0.
- ELECTRICAL GRAPHIC SYMBOLS ON LADDER DIAGRAM PORTION OF LABEL SHALL COMPLY WITH ANSI Y32.2-1875 AND ANSI 315A-1986.
- ALL TEXT SHALL BE 12 POINT ARIAL BOLD UPPER CASE, WITH EXCEPTION OF WORD "WARNING", WHICH SHALL BE 22 POINT ARIAL BOLD UPPER CASE.
- 1/8" RADIUS OPTIONAL ON ALL FOUR CORNERS.

WARNING

**DISCONNECT FROM ELECTRICAL SUPPLY BEFORE SERVICING UNIT.
REPLACE ALL DOORS AND PANELS BEFORE OPERATING HEATER.**

IF ANY OF THE ORIGINAL WIRES SUPPLIED WITH THE APPLIANCE MUST BE REPLACED, IT MUST BE REPLACED WITH APPLIANCE WIRE MATERIAL WITH MINIMUM TEMPERATURE RATING OF 105°C AND A MINIMUM SIZE OF NO. 18 AWG.

Any Material, Component, Or Vendor Change Must Have Prior Approval By The Applicable Product Engineering Department.

Critical Characteristic For Inspection Purposes:

Tolerances Unless Otherwise Noted:
Angles: ±1°
Fractions: ±1/32
Decimals:
(2 Pl) ±.03
(3 Pl) ±.005

Confidential: This drawing and its information are the exclusive and confidential property of A.O. Smith Corp. and are not to be disclosed, duplicated, distributed, or otherwise used without the written consent of A.O. Smith Corp. All rights reserved.©

Scale: 1:1



Drawn: M. PELFREY Material: NOTED

Date: 01/19/2017 Finish: NOTED

DWG / DIR No: 2000539829 Ver: 0

DWG / DIR Desc: LABEL,ELECTRICAL DGRM,VERTEX 76, SER 120

Part Desc: LABEL,ELECTRICAL DGRM,VERTEX 76, SER 120

Part No: 100281688

100281688

Sht:1 Of:1 Rev: A

