

MODELS:
120(A)
150(A)
199(A)*
250(A)

Series: 300/301

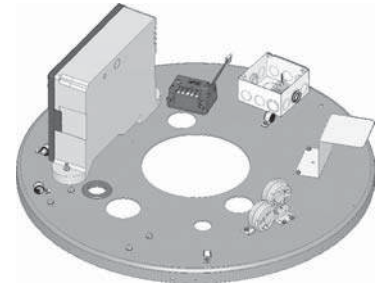
DISPLAY CONTROL ASSEMBLY
See Page 2



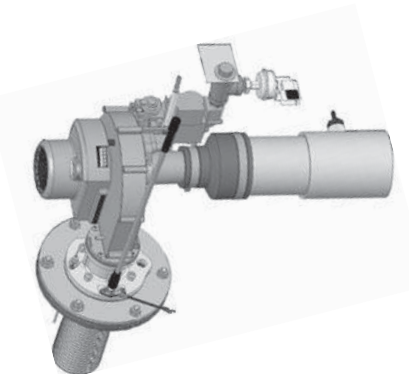
MODELS 120(A)-250(A)
See Page 2



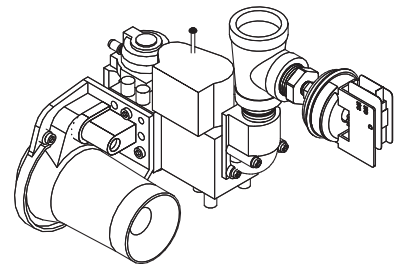
INNER COVER CONTROL ASSEMBLY
See Page 3



BLOWER/BURNER ASSEMBLY
See Page 4

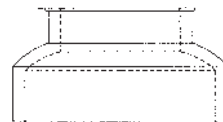
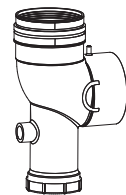
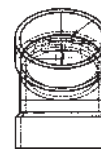
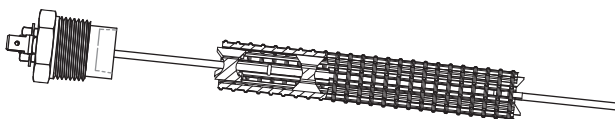


GAS VALVE(S)
See Page 4



EXHAUST ELBOW ASSEMBLY - VENT KIT ASSEMBLY
See Page 5 & 6

POWERED ANODE
See Page 3

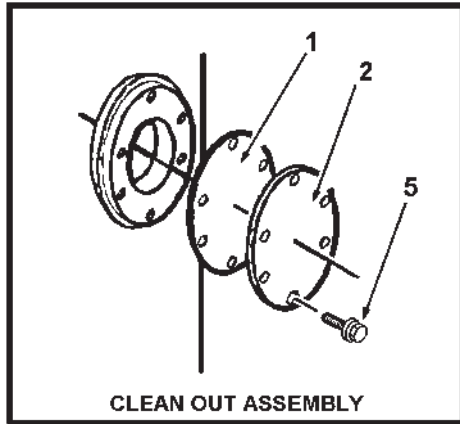


*RUF model only available in the 199 model size.

Printed on 5/30/2019 6:22 AM CT

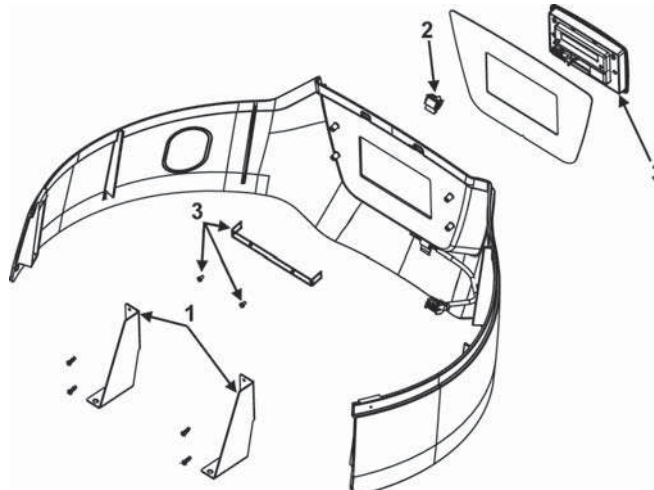
CLEANOUT ASSEMBLY / TEMPERATURE & PRESSURE VALVE

Item	Description	120(A)	150(A)	199(A)	250(A)
		300/301	300/301	300/301	300/301
1	Cleanout Gasket	100109686	100109686	100109686	100109686
2	Cleanout Plate	100110656	100110656	100110656	100110656
3	T & P Valve	100110714	100110719	100110719	100110719
4	Lower Temperature Probe	100271886	100271886	100271886	100271886
5	Thread Forming Screws	100109688	100109688	100109688	100109688
6	Drain Valve	100263911	100263911	100263911	100263911



DISPLAY CONTROL ASSEMBLY

Item	Description	120(A)	150(A)	199(A)	250(A)
		300/301	300/301	300/301	300/301
1	Display Band Mount	100111047	100111047	100111047	100111047
2	Enable/Disable Switch	100096025	100096025	100096025	100096025
3	User Interface Module - UIM	100312669	100312669	100312669	100312669

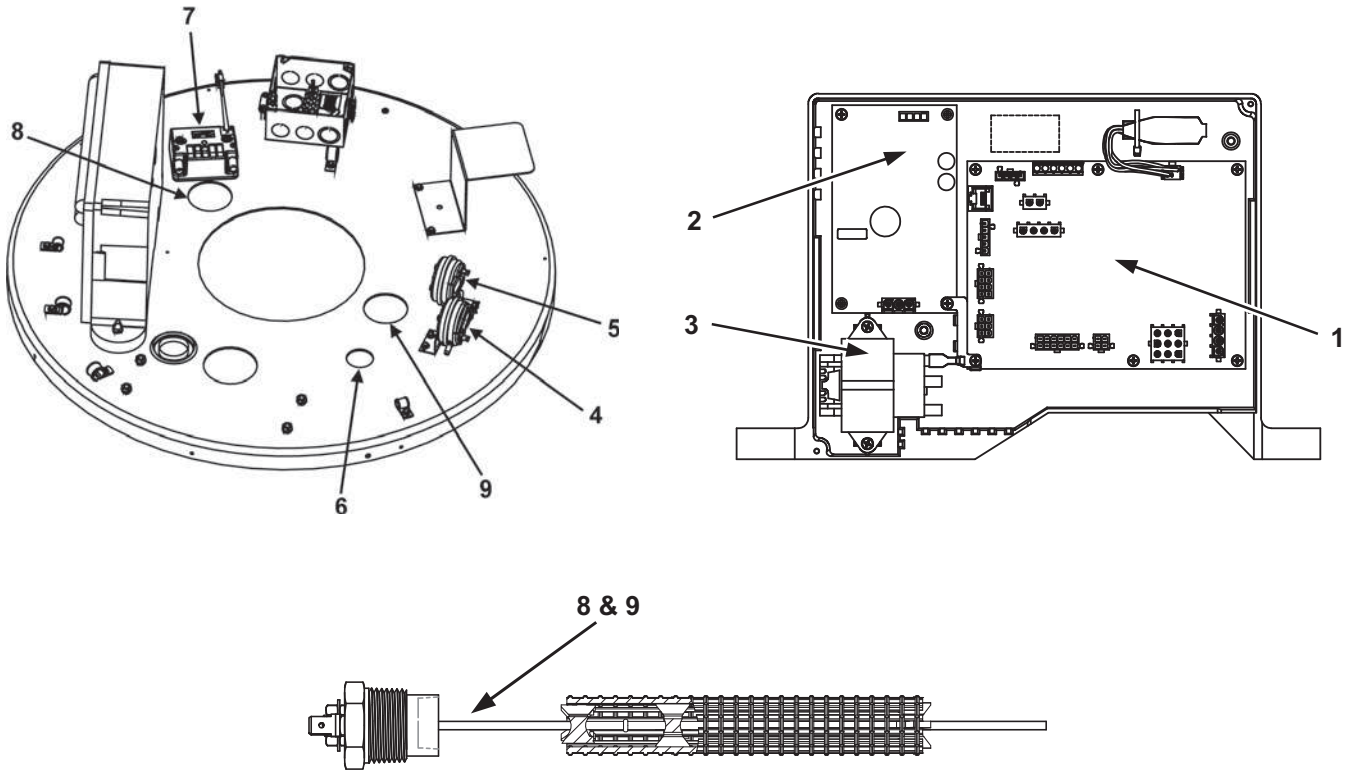


INNER COVER CONTROL ASSEMBLY - MODELS 120(A) & 150(A)

Item	Description	120(A) 300/301	150(A) 300/301
1.....	CCB Board-Programmed	100312667.....	100312667
2.....	Power Supply Board	100113155.....	100113155
3.....	Transformer	100113157.....	100113157
4.....	Switch-Blocked Outlet.....	100187859.....	100187859
5.....	Switch-Blocked Inlet	100113143.....	100113143
6.....	Upper Temperature Probe.....	100271885.....	100271885
7.....	Spark Ignition Transformer	100271921.....	100271921
8.....	Powered Anode-Short.....	N/A.....	100111024
9.....	Powered Anode-Long	100111286.....	100111023

INNER COVER CONTROL ASSEMBLY - MODELS 199(A) & 250(A)

Item	Description	199(A) 300/301	250(A) 300/301
1.....	CCB Board-Programmed	100312667	100312667
2.....	Power Supply Board	100113155	100113155
3.....	Transformer	100113157	100113157
4.....	Switch-Blocked Outlet.....	100187859	100187859
5.....	Switch-Blocked Inlet	100113143	100113143
6.....	Upper Temperature Probe.....	100271885	100271885
7.....	Spark Ignition Transformer	100271921	100271921
8.....	Powered Anode-Short.....	100111024	100111024
9.....	Powered Anode-Long	100111023	100111023



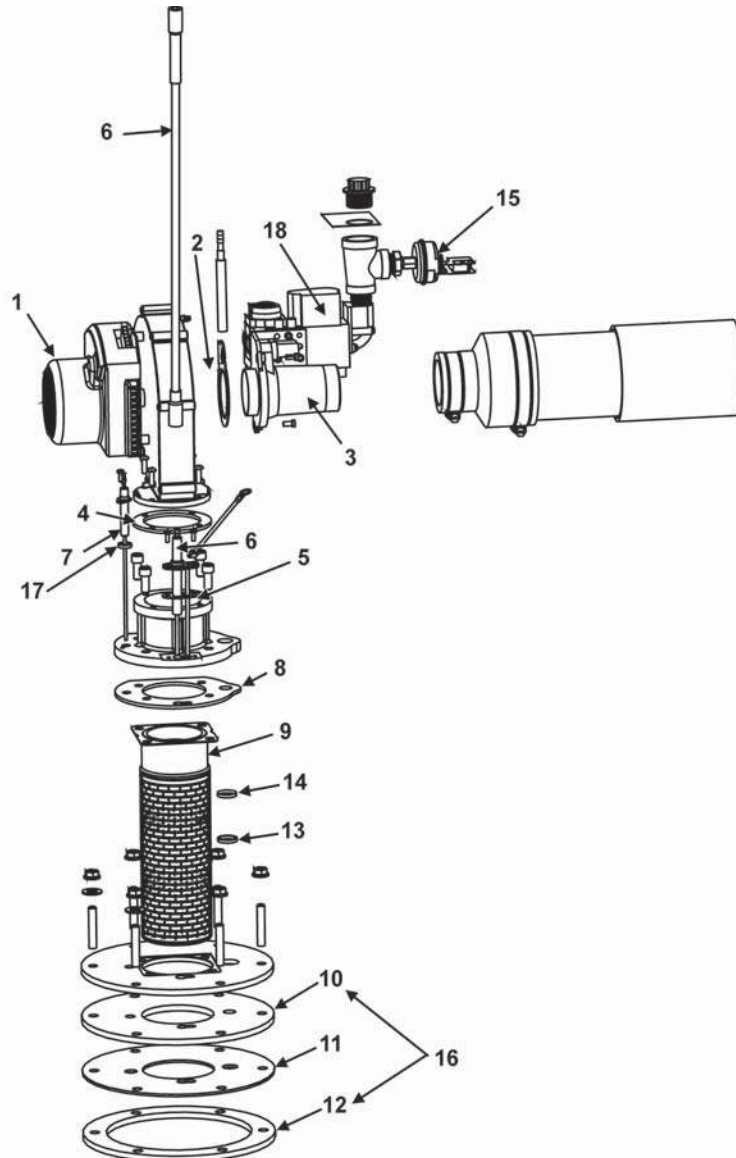
Printed on 5/30/2019 6:22 AM CT

BLOWER / BURNER ASSEMBLY - MODELS 120(A) - 250(A)

Item	Description	120(A) 300	120(A) 301	150-250(A) 300	150-250(A) 301
1	Blower	100271839	100271839	100271923	100271923
2	Gasket - Cork/Venturie	**	**	**	**
3	Gas Valve / Venturie Assembly	100187872	100187873	100187874	100187875
4	Gasket	100111745	100111745	100111745	100111745
5	Gasket - Spark Rod	100078771	100078771	100078771	100078771
6	Rod - Spark	100271888	100271888	100271888	100271888
7	Flame Sensor Rod	100113151	100113151	100113151	100113151
8	Gasket - Burner	100187867	100187867	100187867	100187867
9	Burner Assembly	100187865	100187865	100187866	100187866
10	Gasket - Insulation	N/A	N/A	100187871	100187871
11	Shield - Heat	N/A	N/A	100187870	100187870
12	Gasket	100111744	100111744	100187869	100187869
13	Gasket - Viewport	100110902	100110902	100110902	100110902
14	Window - Observation	100110901	100110901	100110901	100110901
15	Low Gas Pressure Switch	100271883	100111032	100271883	100111032
16	Burner Plate Gaskets***	N/A	N/A	100191119	100191119
17	Flame Rod Gasket	100072809	100072809	100072809	100072809
18	Rectifier Plug Assembly	100055325	100055325	100055325	100055325

** Supplied with Gas Valve/Venturi Assembly.

*** Combines Kits 10 & 12



Printed on 5/30/2019 6:22 AM CT

3" EXHAUST CONNECTOR AND VENT KIT ASSEMBLIES - MODELS 120(A) - 250(A)

120(A) - 250(A)
300 /301

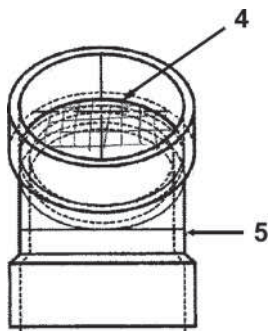
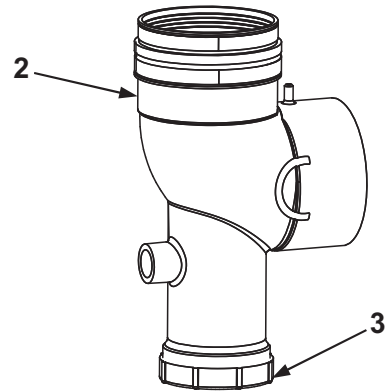
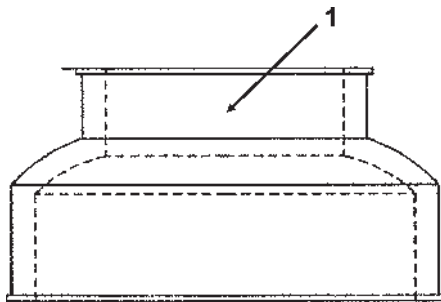
Item Description

EXHAUST ELBOW AND FITTINGS

- 1 Exhaust Connector (2.50" x 4.00").....100110947
- 2 Exhaust/Condensate Elbow Assembly.....100187862
- 3 Condensate Trap Gasket.....100228369

VENT KIT PARTS

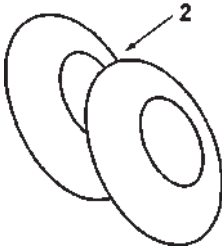
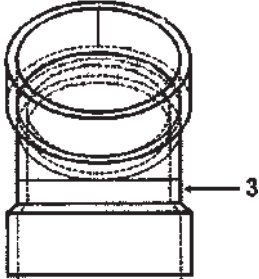
- 4 Intake/Exhaust Screen.....100110830
- 5 PVC 45 Degree Elbow w/Screen (PVC).....100108686
- 5 PVC 45 Degree Elbow (Canada, ULC S636)100055670
- 6 Silicone100109821
- 7 Wall Plate.....100109820



OPTIONAL VENT KIT ASSEMBLY FOR 4" VENTING #100110989 (U.S.), #100111111 (CANADA)

120(A) thru 250(A)
300 / 301

Item	Description
1 Silicone.....
2 Wall Plate
3 Vent Terminal Assembly 4".....



Printed on 5/30/2019 6:22 AM CT

NOTES:

Empty rectangular box for notes.

Printed on 5/30/2019 6:22 AM CT

WATER HEATER PARTS FULFILLMENT
1-800-821-2017