

# WIRING DIAGRAM

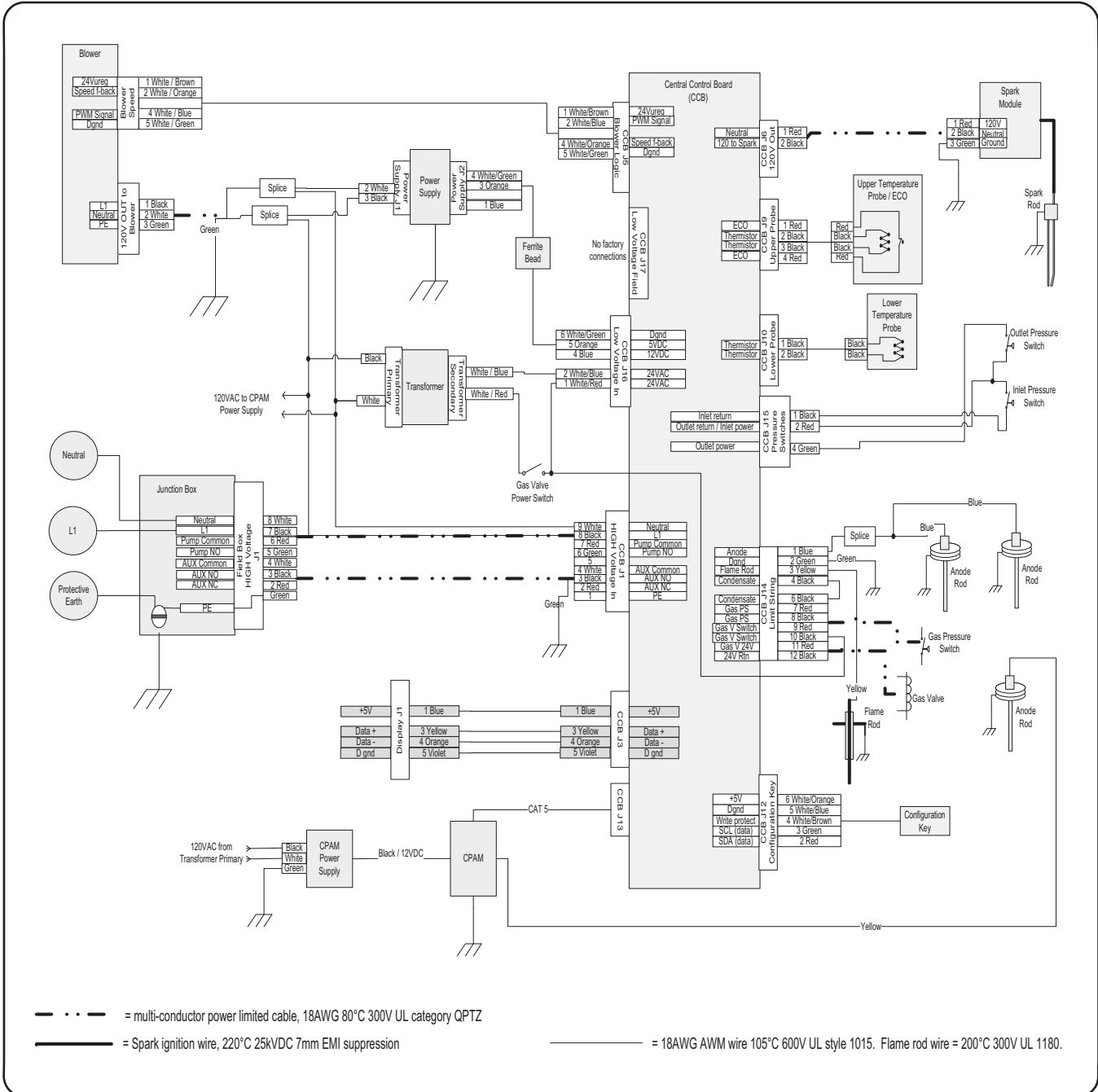


Figure 61