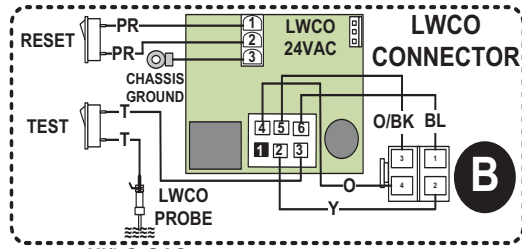




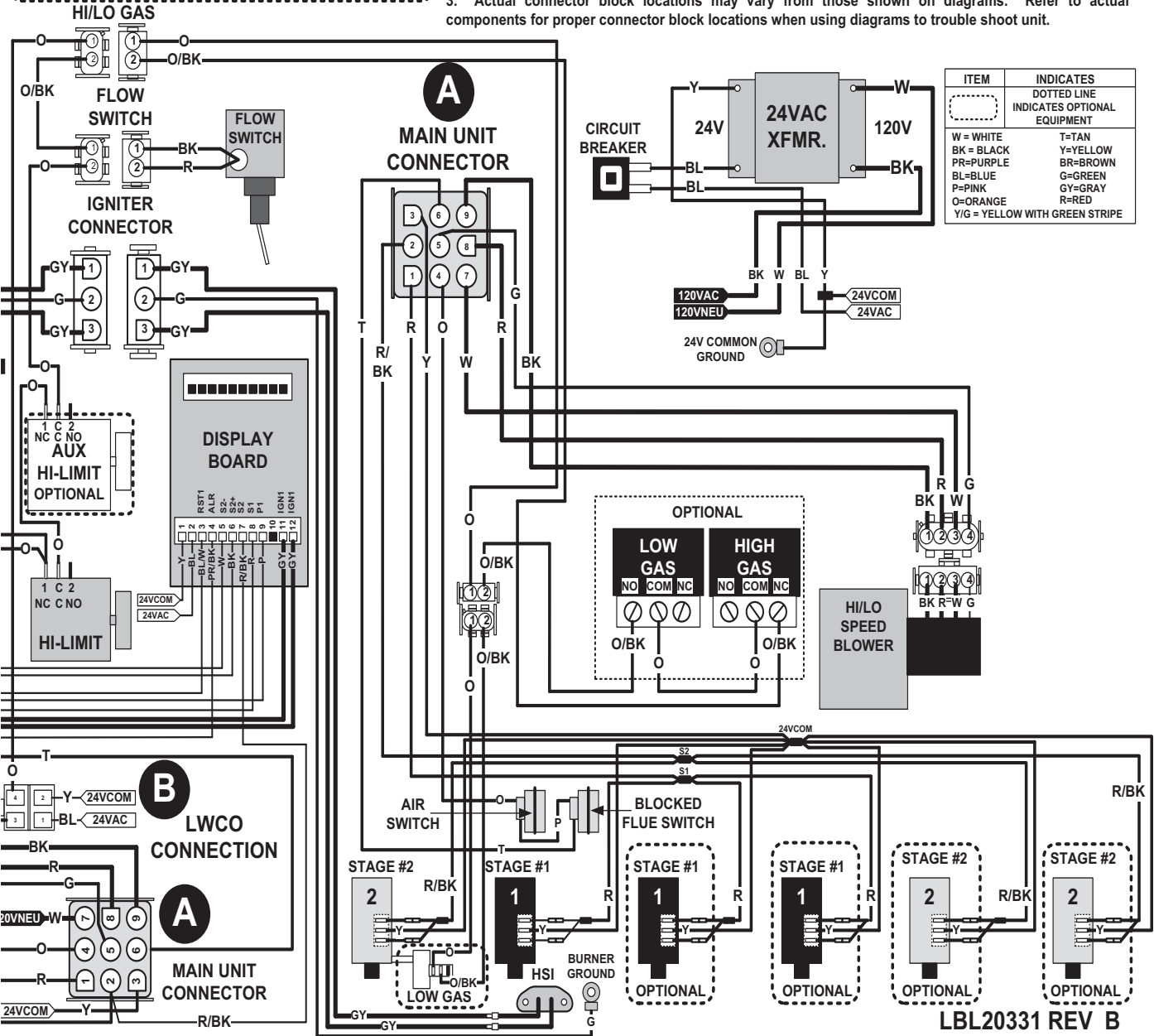
# 10 Schéma des connexions (suite)



**⚠ DANGER**  
TO PREVENT ELECTRICAL SHOCK  
THIS HEATER MAY BE CONNECTED TO MORE THAN ONE BRANCH CIRCUIT. MORE THAN ONE DISCONNECT SWITCH MAY BE REQUIRED TO DE-ENERGIZE THE EQUIPMENT FOR SERVICING.

Notes:

1. All wiring must be installed in accordance with: local, state, provincial and national code requirements per either N.E.C. in USA or C.S.A. in Canada.
2. If any original equipment wire as supplied with the appliance must be replaced, it must be replaced with wire having same wire gauge (AWG) and rated for a minimum of 105°C
3. Actual connector block locations may vary from those shown on diagrams. Refer to actual components for proper connector block locations when using diagrams to trouble shoot unit.



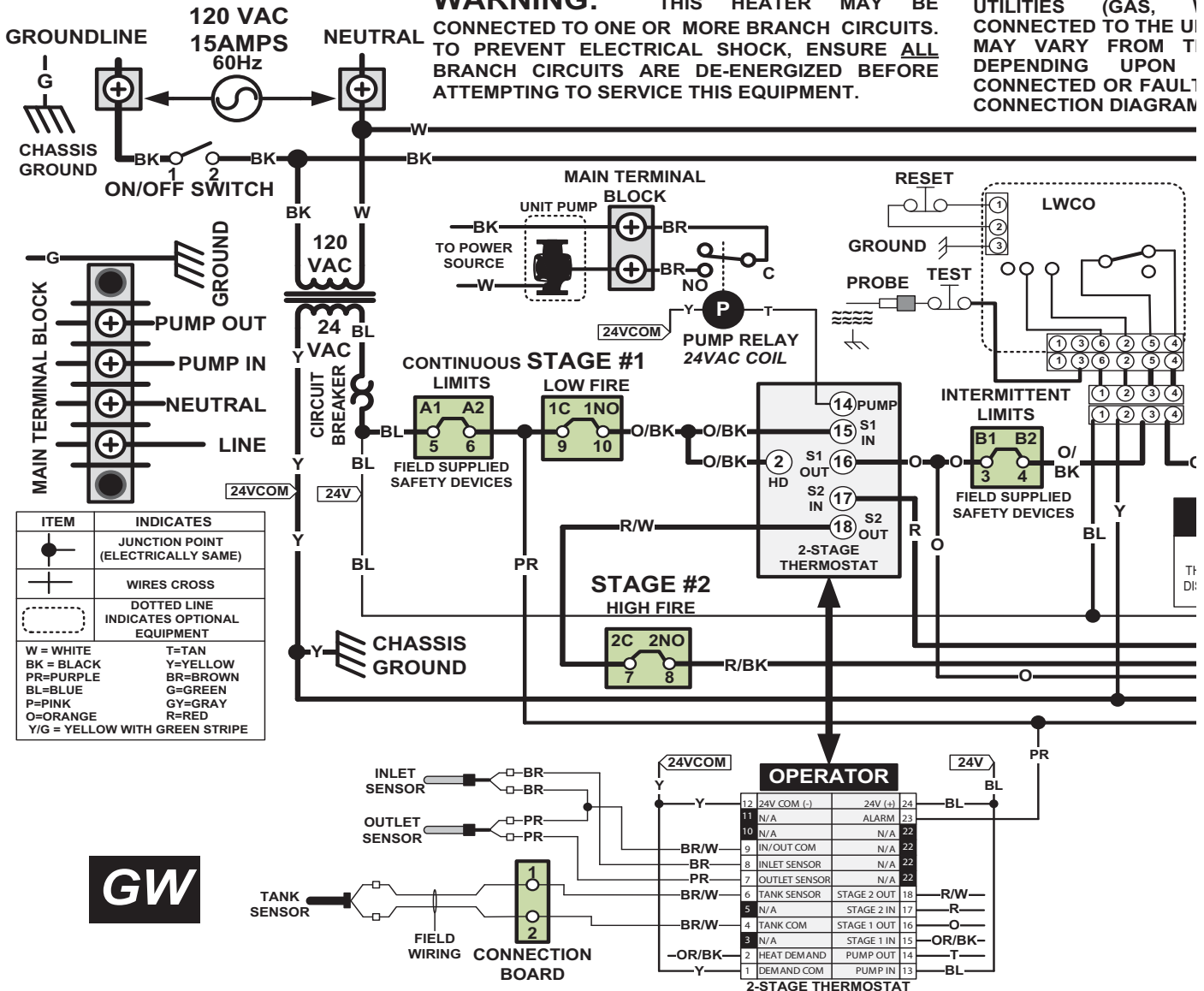
ITEM	INDICATES
DOTTED LINE	INDICATES OPTIONAL EQUIPMENT
W = WHITE	T=TAN
BK = BLACK	Y=YELLOW
PR=PURPLE	BR=BROWN
BL=BLUE	G=GREEN
P=PINK	GY=GRAY
O=ORANGE	R=RED
Y/G = YELLOW WITH GREEN STRIPE	

LBL20331 REV B

# 11 Diagramme en escalier

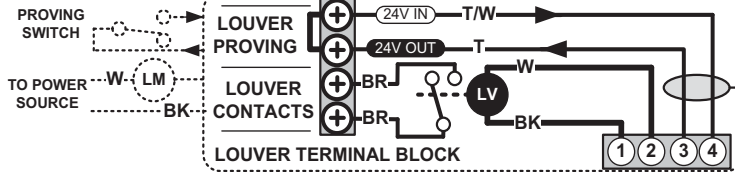
**WARNING:** THIS HEATER MAY BE CONNECTED TO ONE OR MORE BRANCH CIRCUITS. TO PREVENT ELECTRICAL SHOCK, ENSURE ALL BRANCH CIRCUITS ARE DE-ENERGIZED BEFORE ATTEMPTING TO SERVICE THIS EQUIPMENT.

WHERE POSSIBLE, SW UTILITIES (GAS, ETC.) CONNECTED TO THE UNIT MAY VARY FROM THE CONNECTION DIAGRAM.

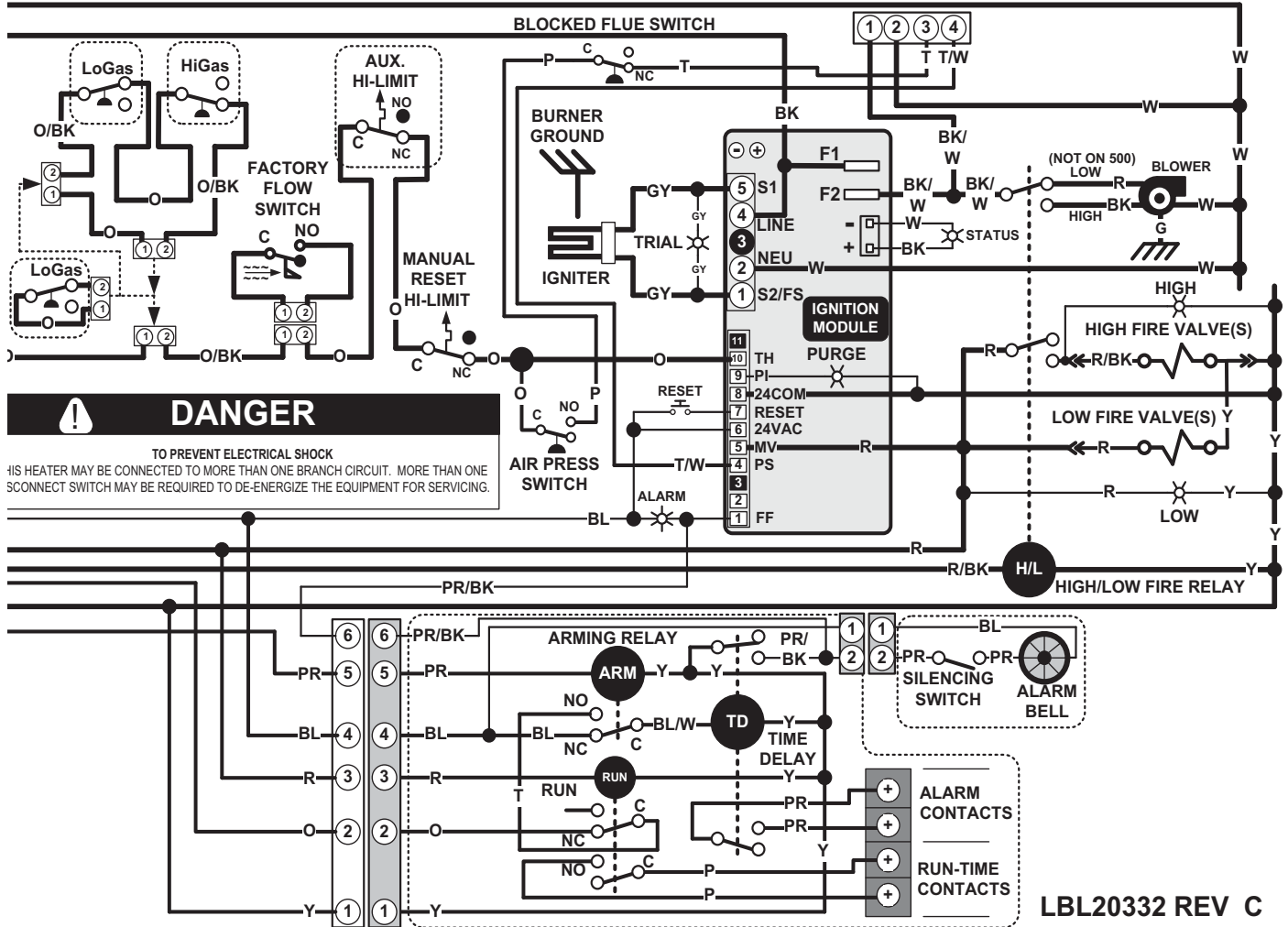


# 11 Diagramme en escalier (suite)

ITCHES ARE SHOWN WITHOUT WATER OR ELECTRICITY) NIT. AS SUCH, SWITCH STATES HOSE SHOWN ON DIAGRAM WHETHER UTILITIES ARE R CONDITION IS PRESENT. SEE I FOR ADDITIONAL NOTES.



**IMPORTANT:**  
FOLLOW WIRING INSTRUCTIONS INCLUDED WITH KIT WHEN MAKING POWERED VENTER CONNECTIONS.



**⚠ DANGER**  
TO PREVENT ELECTRICAL SHOCK  
THIS HEATER MAY BE CONNECTED TO MORE THAN ONE BRANCH CIRCUIT. MORE THAN ONE CONNECT SWITCH MAY BE REQUIRED TO DE-ENERGIZE THE EQUIPMENT FOR SERVICING.

LBL20332 REV C