

ProLine® DIRECT VENT

DESIGNED FOR PERFORMANCE

- ProLine® models are residential water heaters with commercial-grade quality
- Thermopile design provides robust pilot to withstand down drafts and environmental conditions
- Easy temperature adjustments
- 90" coaxial vent supplied with water heater
- CoreGard™ magnesium anode with a stainless steel core protects the tank against corrosion
- Blue Diamond® glass coating protects steel tank from corrosion and maximizes tank life
- Factory-installed plastic-lined nipples with heat traps
- Automatic gas control
- CFC-free foam insulation
- 3/4" side taps standard on 50 USG high input model for combination applications
- Suitable for closet installations

SAFETY FEATURES

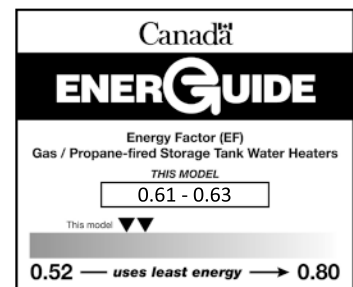
- Sealed combustion chamber design, eliminates the need for a flammable vapor sensor

SERVICEABILITY

- Easy-to-access combustion chamber
- Conveniently located T&P and drain valve for ease of installation and serviceability
- LED indicator:
 - Gives visual confirmation that pilot is on by flashing continuously
 - Provides diagnostics and troubleshooting
- Piezoelectric ignitor allows for push-button pilot lighting

WARRANTY

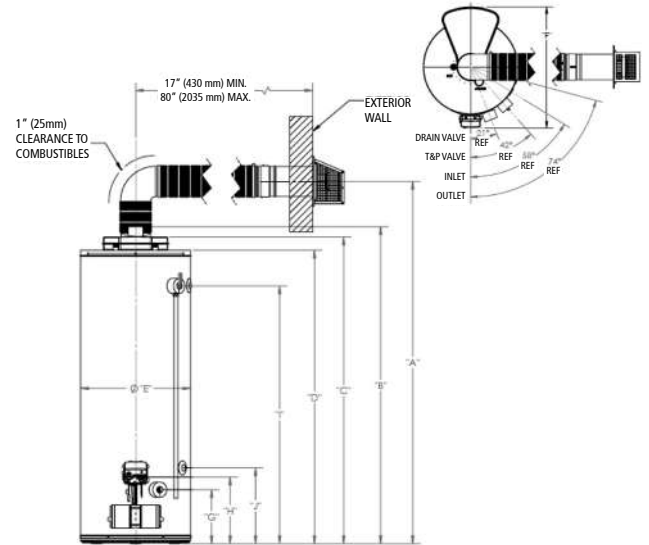
- 6 year limited tank and parts warranty
- 2 and 4 year tank warranty extension kits are available



PERFORMANCE

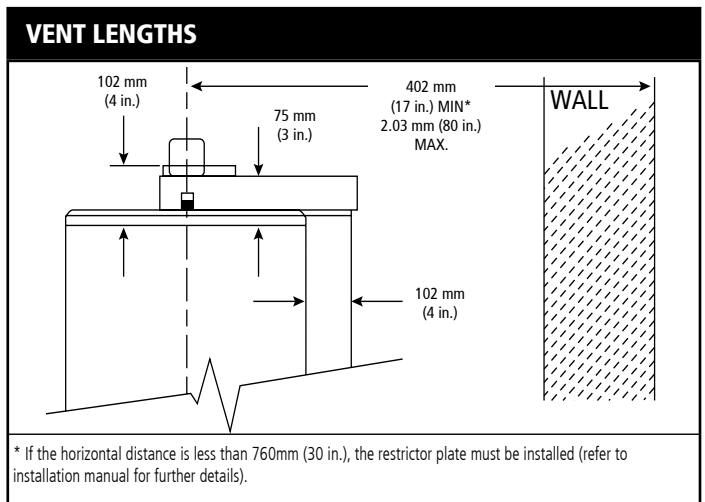
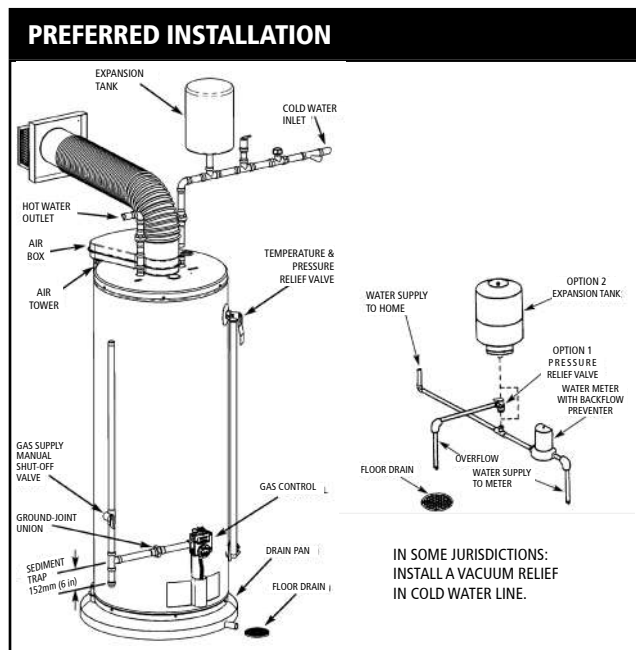
MODEL	SERIES	CAPACITY		MAXIMUM CERTIFIED ALTITUDE	RECOVERY RATE AT 90° F TEMPERATURE RISE	FIRST HOUR RATING	ENERGY FACTOR	WARRANTY TANK/PARTS	
		USG (L)	BTU/h					FT (M)	GPH (LPH)
GDV 40L	300/301	40 (151)	38,000	7,700 (2,347)	42 (159)	72 (273)	0.63	6/6	
GDV 50L	300/301	50 (189)	40,000	7,700 (2,347)	43 (163)	91 (344)	0.62	6/6	
GDVT 50L*	300/301	50 (189)	47,000	7,700 (2,347)	51 (193)	92 (348)	0.61	6/6	

Natural gas models are series 300. Propane models are series 301. All models comply with national energy efficiency regulations.
*Model has side connections.



DIMENSIONS & SHIPPING WEIGHT

MODEL	HEIGHT TO CENTER OF VENT	HEIGHT TO TOP OF FLUE OUTLET	HEIGHT TO TOP OF AIR BOX	HEIGHT TO TOP OF HEATER	DIAMETER	OVERALL DEPTH	HEIGHT TO DRAIN	HEIGHT TO GAS INLET	HEIGHT TO T&P	HEIGHT TO SIDE TAP (HOT OUT)	HEIGHT TO SIDE TAP (COLD IN)	SHIPPING WEIGHT
	A IN (CM)	B IN (CM)	C IN (CM)	D IN (CM)	E IN (CM)	F IN (CM)	G IN (CM)	H IN (CM)	I IN (CM)	I IN (CM)	J IN (CM)	LB (KG)
GDV 40L	64 (163)	54 3/8 (138)	52 1/2 (133)	49 3/8 (126)	22 (56)	29 (74)	10 3/4 (27)	13 1/4 (34)	42 3/8 (108)	N/A	N/A	178 (81)
GDV 50L	73 (185)	63 3/8 (162)	61 3/4 (157)	58 3/8 (150)	22 (56)	29 (74)	10 3/4 (27)	13 1/4 (34)	51 3/8 (131)	N/A	N/A	200 (91)
GDVT 50L*	74 (188)	64 3/8 (164)	62 7/8 (160)	60 (152)	22 (56)	29 (74)	10 3/4 (27)	13 1/4 (34)	52 3/4 (134)	52 3/4 (134)	15 1/4 (39)	215 (98)



Refer to the installation manual for complete installation and venting requirements.